



TAPERED ROLLER BEARINGS CATALOGUE



Powered by



About us

Our company Zivko & Sinovi under the brand Z&S is specialized in fabrication of rolling bearings. Our biggest advantage is that our entire production cycle is under our control, from beginning to end so that we can ensure the best quality of our products.

Z&S Serbia is in a joint venture with the Z&R Chinese company, and from that the Z&R • Z&S corporation is born.

From raw materials to the final product, we possess all the equipment required for making the best quality bearings. Forging plant, Casting plant, Ball production plant, Sealing plants, Heat treatment equipment, Equipment for turning and grinding process, Assembly line and Laboratory for testing and ensuring quality.

Z&S Factories are located in China and Serbia, as well as our R&D Centers.



Facility Complex



Laboratory



Production Lines



GENERAL INFORMATION Z&S BEARINGS

A. Dimensions and standards

- Rolling bearings are typically manufactured from high-quality chromium steel. Both the rings and rolling elements undergo heat treatment, achieving a standard hardness of 60–65 HRC and dimensional stability up to 120 °C. Bearing dimensions are precisely defined and standardized
- Symbols representing main dimensions of bearings have been standardized and are as follows:
 - d inside diameter
 - D outside diameter
 - B tapered roller bearings - width of an inner ring
 - C diameter of inner ring of a tapered roller bearing
- Dimensions, tolerances, internal clearances, and basic dynamic and static load ratings of tapered roller bearings are defined and calculated in accordance with applicable ISO standards, in particular ISO 355 for boundary dimensions and series designation, ISO 492 for dimensional and running accuracy tolerances, ISO 281 for the calculation of basic dynamic and static load ratings and rating life, and ISO 5753-1 for internal clearances where applicable. Values for dynamic and static load ratings are given in the relevant product tables.

B. Accuracy classes

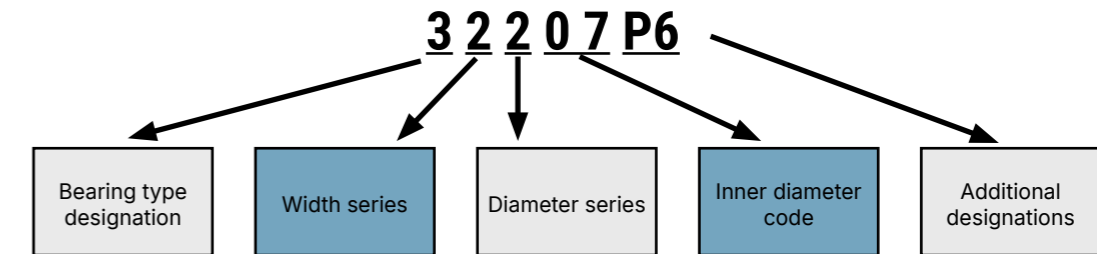
Rolling bearing tolerances define the accuracy classes for the main dimensions of the inner and outer rings, their geometrical form, and running accuracy—specifically, the relative positioning of the raceway, bore, outer diameter, and faces. These parameters are standardized by ISO. Based on the allowable deviations, the following accuracy classes are distinguished :

- P0 normal, not determined
- P6 higher than normal
- P5 higher than P6
- P4 higher than P5
- SP higher than P4 – super precision
- UP higher than SP – ultra precision

With regard to some bearings types e.g. 608 it is often the case that American scale of accuracy classes is used:

- ABEC1 higher than normal
- ABEC3 higher than P6
- ABEC5 higher than P5
- ABEC7 higher than P4

Bearing designations explained :

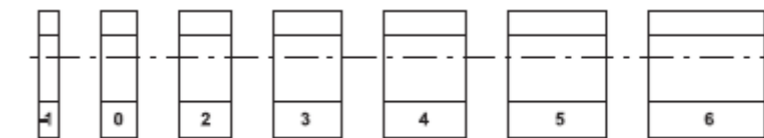


- Bearing type designation, 3 for tapered roller bearings
- Numerical symbol of width series – only a width of a bearing
- Numerical symbol of diameter series – size of a bearing
- Numerical marking of an internal bearing diameter
- Additional marking – tapered bore, angle, cage, seal, groove, accuracy classes, clearance, and the like.

2. Width series

- These symbols are not always indicated. Separate classifications apply to tapered bearings.

Width series diagram for radial bearings :



Each group has its own rules :

- for tapered bearings the width series is put in the growing order: 0, 1, 2, 3,

The width series number is not always specified. Certain bearing groups, such as tapered bearings always include it.

If the series number is not provided, the following rules apply :

- Note : For bearings of the 38.., 39.., 30.., 32.., and 33.. series, the width series number is 3.

3. Diameter series

- The diameter series determines the overall bearing size. For a given internal diameter, changes in the diameter series affect both the outer diameter and the width of the bearing. Therefore, the diameter series is one of the most important elements of the bearing symbol, as it defines the relationship between all main bearing dimensions.

The diameter series symbol is always provided. Separate classifications apply to tapered bearings. For tapered group its own sequence :

- Tapered bearings : 9, 0, 1, 2, 3

GENERAL INFORMATION Z&R•Z&S BEARINGS

4. Designation "d" for internal bearing diameter

This element precisely defines the bearing's internal diameter in millimeters, using the system illustrated below. The marking rules are as follows :

- For 10 mm, the designation is "00"; for 12 mm, "01"; for 15 mm, "02"; and for 17 mm, "03".
- For internal diameters between 20 mm and 480 mm that are divisible by 5, the marking is obtained by dividing the actual size by 5. If the result is a single digit, a leading zero is added. For example : 20 mm → "04", 25 mm → "05", 50 mm → "10", and so on.
- For internal diameters above 480 mm, or for sizes not divisible by 5, the marking uses the "/" sign followed by the actual size, e.g., 500 mm → "/500", 22 mm → "/22".

5. Additional markings/designations

- change in the inner construction (A, B, C, D, E) or outer construction (X)
- cage designation (-, M), or the lack of it (V) and the guidance of the cage (A, B)
- accuracy class (P6, P5, P4, SP, UP, ABEC1, ABEC3, ABEC5 etc.)
- silent-running feature – reduced vibration level (C6, C66)
- heat stability (S0, S1, S2, S3, S4, and so on).
- other markings regarding the type of lubricate, special features, etc.)

C. Designations regarding changes in inner construction

- A in the tapered roller bearing – increased dimensions and number of rollers
- A, B, C in the angular-contact bearing – different angle of track
- E strengthened version, enlargement and increase in the number of rolling elements

D. Cage designations

- - Pressed steel cage by default
- M massive cage made of brass, sometimes stamped from sheet brass

E. Silent-running bearings

The silent-running feature, also referred to as a reduced vibration level, applies to certain bearing designs intended for applications requiring quiet operation. The following symbols are used :

- normal is not marked
- C6 reduced vibration level
- C66 very low vibration level

Note : Symbols of accuracy class, radial clearance and vibrations levels can be combined.

F. Heat stability

- In applications where the continuous operating temperature of a bearing exceeds 120 °C, bearings subjected to special heat treatment for dimensional stabilization should be used. High temperatures negatively affect bearing performance in two ways: the steel expands, which can cause the bearing to seize, and at temperatures above 150 °C, the hardness of the hardened raceways decreases, leading to reduced load capacity and potential permanent deformation.

The following symbols are used to indicate the optimal bearing operating temperature ranges : Stability applies to both the inner and outer rings.

- S00 up to 120°C is not marked
- S0 up to 150°C
- S1 up to 200°C
- S2 up to 250°C
- S3 up to 300°C



Z&S
BEARINGS
PRODUCTION

LOAD CARRYING ABILITY AND LIFE

The size of a bearing required for a specific arrangement is determined by the loads that will occur in the application and the required life needed for the application.

Variables known as load ratings are used in the bearing calculations as a measure of the load carrying ability:

- The basic dynamic load rating C and the basic static load rating C_0 .
- The basic dynamic load rating is based on specifications determined in ISO 281 which the basic static load rating is based on specifications determined in ISO 76.

To select a bearing size, the basic rating life is typically calculated in accordance with ISO 281. The equation is:

$$L_{10} = \left(\frac{C}{P} \right)^{3.33}$$

If speed is constant, the basic rating life expressed in operating hours can be calculated using:

$$L_{10h} = \frac{1000000}{60 \times n} \times \left(\frac{C}{P} \right)^{3.33} \quad \text{Or} \quad L_{10h} = \frac{1000000}{60 \times n} \times L_{10}$$

Where :

L_{10} - basic rating life (at 90% reliability), millions of revolutions

L_{10h} - basic rating life (at 90% reliability), operating hours

C - basic dynamic load rating, kN

P - equivalent dynamic bearing load, kN

n - rotational speed, r/min

For a more accurate determination of bearing service life considering the effects of bearing reliability, grease conditions and operating temperature, please contact the team at Z&S.

DYNAMIC AND STATIC BEARING LOADS

The dynamic and static load ratings for tapered roller bearings are calculated in accordance with ISO 281 for dynamic load ratings and ISO 76 for static load ratings, and the corresponding values for each bearing are provided in the product tables presented later in this catalogue.

For a more accurate determination of bearing service life considering the effects of bearing reliability, grease conditions and operating temperature, please contact the team at Z&S.

GENERAL INFORMATION Z&R•Z&S BEARINGS 4

LOAD CARRYING ABILITY AND LIFE 8

DYNAMIC AND STATIC BEARING LOADS..... 9

1. TAPERED ROLLER BEARINGS 12

1.1 TAPERED ROLLER BEARINGS - METRIC..... 16

15-35 MM.....16

35-55 MM.....18

55-80 MM.....20

80-100 MM.....22

100-140 MM.....24

150-240 MM.....26

240-360 MM.....28

1.2 TAPERED ROLLER BEARINGS - INCH.....30

0.5-1 INCH.....30

1-1.125 INCH.....32

1-1.32 INCH.....34

1.32-1.4 INCH.....36

1.4-1.5 INCH.....38

1.5-1.625 INCH.....40

1.625-1.75 INCH.....42

1.75-1.81 INCH.....44

1.81-2 INCH.....46

2 INCH.....48

2.25 INCH.....52

2.375-2.56 INCH.....54

2.56-2.75 INCH.....56

2.75-2.95 INCH.....58

2.95-3.15 INCH.....60

3.15-3.375 INCH.....62

3.375-3.75 INCH.....64

3.75-8.25 INCH.....66

1.3 MATCHED TAPERED ROLLER BEARINGS - DF TYPE, FACE TO FACE68

25-120 MM.....68

1.4 MATCHED TAPERED ROLLER BEARINGS - DB TYPE, BACK TO BACK70

25-120 MM.....70

Note : Sorting in the catalogue is done by inner bore diameter.

1. TAPERED ROLLER BEARINGS

A. Structure

- Tapered roller bearings consist of two non-separable components: the outer ring, which contains one of the tapered raceways (the outer race), and the inner ring, on which the cage with rolling elements is mounted. The rolling elements are shaped as truncated cones, resembling rollers, which is why these bearings are commonly referred to as roller bearings. Under normal operating conditions, the inner ring, outer ring, and rollers carry the load, while the cage serves to separate and guide the rollers.
- The inner ring together with the rollers is often called the inner sub-assembly. The separable design of tapered roller bearings offers advantages during assembly and handling. The rolling elements operate on raceways that are inclined relative to the bearing axis. The projection lines of all tapered surfaces intersect at a common point on the bearing axis, ensuring correct rotation of the rollers along the raceways.

B. Features

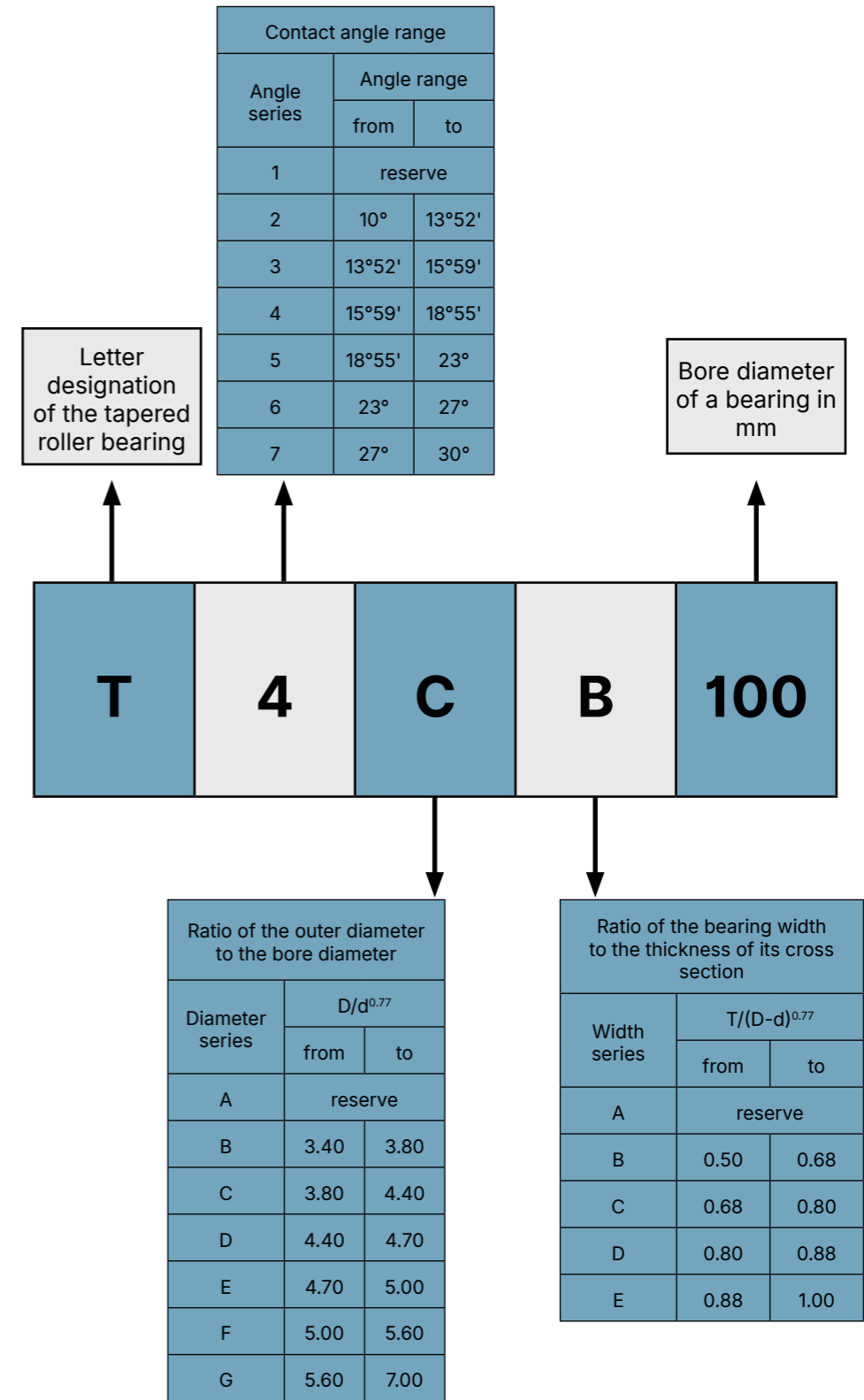
- Due to their tapered raceways, tapered roller bearings can support any combination of radial and axial loads. The larger the outer raceway angle, the higher the ratio of axial load capacity to radial load capacity. The long line of contact between the rollers and the raceways allows tapered roller bearings to carry heavy loads.
- Tapered roller bearings combine the characteristics of angular-contact ball bearings and cylindrical or thrust roller bearings. They cannot be classified strictly as radial or thrust bearings, as they can operate in both capacities. A defining feature of tapered roller bearings is their ability to carry axial loads in one direction. For this reason, they are often assembled in pairs or larger units, similar to single-row angular-contact ball bearings. The designations of these units correspond to those used for angular-contact bearing assemblies (open, closed, tandem systems).
- The raceway angle plays a decisive role in determining whether a tapered roller bearing is optimized for higher rotational speeds or greater axial load capacity. These angles are characteristic for each dimensional series and are standardized according to both ISO and AFBMA norms.

C. Tapered roller bearings designations according to ISO

- The five-digit bearing designation always begins with the digit 3.
- The second digit indicates the bearing width series, starting from the smallest (0, 1, 2, 3).
- The third digit represents the outer diameter series, in ascending order (9, 0, 2, 3).
- The last two digits specify the inner diameter of the bearing. When multiplied by 5, they give the inner diameter in millimeters. For example, a 32005 bearing has an inner diameter of 25 mm (05 × 5).
- The ISO 355 standard for metric tapered roller bearings defines a designation system in which each bearing is specified by a combination of three symbols :

- The first symbol indicates the contact angle series.
- The second symbol is a letter representing the outer diameter series, which defines the range of outer diameter values relative to the bore diameter.
- The third symbol is a letter denoting the width series, specifying the range of widths in relation to the bearing size.

When all standard metric bearings receive new ISO 355 designations, the previous designations will remain valid for reference.



D. Tapered roller bearings designations for inch units, original inch system

- Under this system, bearings are classified according to their geometry and the size of the rolling elements (rollers). By varying parameters such as the number of rollers or the raceway angle, the bearing can be adapted to different load conditions. Each group is identified by a specific series number, typically consisting of three to six digits.
- As an example, consider the 795 series: the bearing designation 797/792 comprises an inner sub-assembly identified by "797" and an outer ring designated as "792". In most cases, the designation of the inner sub-assembly is higher than the series number, while the outer ring designation is lower. However, exceptions exist, such as the 15000 series bearing designated 15123/15245.

E. Tapered roller bearings designations according to AFBMA

- Today, this designation system has become the international standard for marking inch-dimensioned bearings; however, it applies primarily to new series. Legacy designations of bearing components in accordance with the original system, newly introduced designations within existing series, and patented markings for special bearing elements remain valid.
- The AFBMA designation system differs mainly in that it treats the inner sub-assembly and the outer ring as separate components. Each part has its own designation, and the two can be combined in various configurations. This approach provides greater flexibility in engineering design and significantly expands the range of available bearing types.
- In this system, the inner sub-assembly designation is always stated first, followed by a "/" and the designation of the outer ring.
- The symbol itself can be divided into 5 parts :

1. load
2. contact angle
3. basic series designation (based on inner diameters)
4. descriptor of the element (the unit or the ring)
5. supplementary designation of the construction variant

1. Load

- EL extremely light
- LL less than light
- L light
- LM medium light
- M medium
- HM medium heavy
- H heavy
- HH very heavy
- EH extremely heavy
- T only axial

2. Contact angle

The first digit behind the introductory designation describes the code of the half of the tapered angle of the outer ring

- 1, 2, 3, 4, 5, 6, 7, 8, 9, 0 where as the "1" means the smallest angle, other follow in the increasing order.

3. Basic series designation (based on the inner diameter value)

The three subsequent digits are kept in reserve for marking the basic bearing's series, which is in turn directly connected with the inner diameter of the bearing

- from 00 to 999 it is a digital code for the bore in inches from the smallest up to the largest.

4. Descriptor of the element

- The two last digits of the ring's symbol
- from 10 to 19 for outer rings from the smallest to the largest
- from 30 to 49 for outer rings from the smallest to the largest.

If the number of rings in a given series exceeds the range, one applies additional numbers from 20 to 29.

5. Supplementary designation

- The supplementary designation of the construction variant consists of one, two, or three letters and indicates modifications to the external shape or internal geometry of the bearing.

The most commonly encountered are:

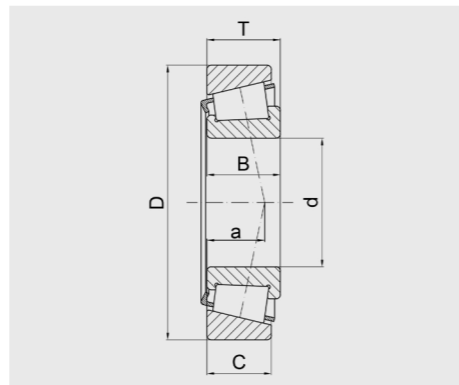
- A differences of diameters, mounting truncation and width
- AX as above
- B outer ring with the flange
- B inner ring – sizes are kept but construction changed
- F polyamide cage
- V ring made of special steel.

CAFMA Designation system - for inch dimensions transferred into metric dimensions

- The system is identical to the standard AFBMA system, but it regards bearings, which in spite of inch designations have metric size. To differentiate them a "J" letter is put before the typical ring designation. e.g. JL69349/JL69310, JLM506849/JLM506810, JHM720249/JHM720210, JL68145/JL68111 Characteristic feature of the AFBMA system is the frequent usage of designations' abbreviations, consisting in omitting the repeated elements of the designation, e.g. LM11749/LM11710 = LM11749/10 r.

1.1 TAPERED ROLLER BEARINGS - METRIC

15-35 mm
Z&S BEARINGS PRODUCTION



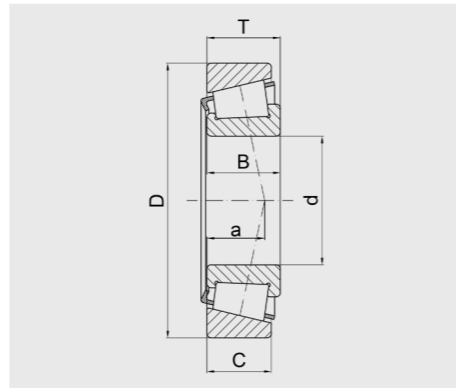
Shaft (mm)	Bearing No.	Bearing No. acc. to ISO 355	Series		Dimensions					
			SD	SB	d	D	B	T	C	a
15	30202 A	-	2	0	15	35	11	11,75	10,00	8,3
	30302 A	T2FB015	3	0	15	42	13	14,25	11,00	9
17	30203 A	T2DB017	2	0	17	40	12	13,25	11,00	10
	32203 A	T2DD017	2	2	17	40	16	17,25	14,00	11,4
20	30303 A	T2FB017	3	0	17	47	14	15,25	12,00	10
	32303 A	T2FD017	3	2	17	47	19	20,25	16,00	12,2
20	32004 AX	T3CC020	0	2	20	42	15	15,00	12,00	12
	30204 A	T2DB020	2	0	20	47	14	15,25	12,00	11
22	32204 A	T2DD020	2	2	20	47	18	19,25	15,00	12,5
	30304 A	T2FB020	3	0	20	52	16	16,25	13,00	11
22	32304 A	T2FD020	3	2	20	52	21	22,25	18,00	11
	320/22 AX	T3CC022	0	2	22	44	15	15,00	11,50	14
25	T2CC022	T2CC022	-	-	22	47	17,5	17,00	13,50	11,3
	302/22 A	-	2	0	22	50	14	15,25	12,00	12,2
25	322/22 A	-	2	2	22	50	18	19,25	15,00	14
	303/22 A	-	3	0	22	56	16	17,25	14,00	12,2
25	323/22 A	-	3	2	22	56	21	22,25	18,00	14,6
	32005 AX	T4CC025	0	2	25	47	15	15,00	11,50	11
25	33005 A	T2CE025	0	3	25	47	17	17,00	14,00	10,9
	30205 A	T3CC025	2	0	25	52	15	16,25	13,00	11
28	32205 A	T2CD025	2	2	25	52	18	19,25	15,00	13,5
	33205 A	T2DE025	2	3	25	52	22	22,00	18,00	14
28	30305 A	T2FB025	3	0	25	62	17	18,25	15,00	13
	31305 A	T7FB025	3	1	25	62	17	18,25	13,00	20
28	32305 A	T2FD025	3	2	25	62	24	25,25	20,00	15
	320/28 AX	T4CC028	0	2	28	52	16	16,00	12,00	12
30	302/28 A	-	2	0	28	58	16	17,25	14,00	13,4
	322/28 A	T5DD028	2	2	28	58	19	20,25	16,00	17
30	332/28 A	T2DE028	2	3	28	58	24	24,00	19,00	15,4
	303/28 A	-	3	0	28	68	18	19,75	16,00	14,9
30	323/28 A	-	3	2	28	68	24	25,75	21,00	17,6
	32006 AX	T4CC030	0	2	30	55	17	17,00	13,00	13
30	33006 A	T2CE030	0	3	30	55	20	20,00	16,00	13
	30206 A	T3DB030	2	0	30	62	16	17,25	14,00	14
32	32206 A	T3DC030	2	2	30	62	20	21,25	17,00	15
	33206 A	T2DE030	2	3	30	62	25	25,00	19,50	16
32	30306 A	T2FB030	3	0	30	72	19	20,75	16,00	15
	31306 A	T7FB030	3	1	30	72	19	20,75	14,00	22
32	32306 A	T2FD030	3	2	30	72	27	28,75	23,00	18
	320/32 AX	T4CC032	0	2	32	58	17	17,00	13,00	14
35	302/32 A	-	2	0	32	65	17	18,25	15,00	14,9
	322/32 A	-	2	2	32	65	21,5	22,00	17,00	16,3
35	332/32 A	T2DE032	2	3	32	65	26	26,00	20,50	16,9
	303/32 A	-	3	0	32	75	20	21,71	18,00	16
35	323/32 A	-	3	2	32	75	28	29,75	23,00	19,6
	32907 A	T2BD035	9	2	35	55	14	14,00	11,50	10,9
35	32007 AX	T4CC035	0	2	35	62	18	18,00	14,00	15
	33007 A	T2CE035	0	3	35	62	21	21,00	17,00	14,2

Basic makes		
-	M	P5
✓	✓	✓

Weight (kg)	Basic load ratings (kN)		Limiting speed (rpm)		Bearing No.
	dyn. C	stat. Co	grease	oil	
0,0570	12,5	11,8	15000	20000	30202 A
0,0950	22,4	20	9000	13000	30302 A
0,0750	19	18,6	9000	13000	30203 A
0,0945	27,4	27,5	10000	14000	32203 A
0,1300	28,1	25	8500	12000	30303 A
0,1665	31,9	29,9	9400	13000	32303 A
0,0970	24,2	27	8500	12000	32004 AX
0,1200	27,5	28	8000	11000	30204 A
0,1350	33,1	34,7	8900	12000	32204 A
0,1700	34,1	32,5	8000	11000	30304 A
0,2300	44	45,5	7500	10000	32304 A
0,1060	27	31,5	8900	12000	320/22 AX
0,1380	32,7	35,9	8700	12000	T2CC022
0,1400	29,2	28,6	8400	11000	302/22 A
0,1780	36,8	41,6	8100	11000	322/22 A
0,2115	41,7	41,1	7500	10000	303/22 A
0,2730	50,6	52,7	7600	10000	323/22 A
0,1100	27	32,5	8000	11000	32005 AX
0,1300	32,5	40,5	8000	11000	33005 A
0,1500	30,8	33,5	7500	10000	30205 A
0,1900	35,8	44	7000	9500	32205 A
0,2300	47,3	56	6700	9000	33205 A
0,2600	44,6	43	6700	9000	30305 A
0,2600	38	40	5600	7500	31305 A
0,3600	60,5	63	6000	8000	32305 A
0,1460	33	40,5	7300	9700	320/28 AX
0,2090	38,8	42	7000	9300	302/28 A
0,2565	49,2	55,2	6900	9100	322/28 A
0,2970	57,6	69,5	7000	9300	332/28 A
0,3420	53,5	54	6100	8200	303/28 A
0,4690	69,6	75,6	6100	8100	323/28 A
0,1700	35,8	44	6700	9000	32006 AX
0,2010	42,5	54	6900	9200	33006 A
0,2300	40,2	44	6300	8500	30206 A
0,2800	50,1	57	6300	8500	32206 A
0,3700	64,4	76,5	5600	7500	33206 A
0,3900	56,1	56	5600	7500	30306 A
0,3900	47,3	50	5000	6700	31306 A
0,5500	76,5	85	5300	7000	32306 A
0,1810	37	46,5	6600	8700	320/32 AX
0,2745	48	51,4	6200	8200	302/32 A
0,35	51,6	57,7	6200	8200	322/32 A
0,4050	71,8	86,9	6200	8300	332/32 A
0,4610	64,4	65,6	5500	7300	303/32 A
0,6615	89,6	101	5600	7400	323/32 A
0,1210	27,4	37,5	6800	9000	32907 A
0,2200	42,9	54	6000	8000	32007 AX
0,2630	50,5	66,5	6100	8100	33007 A

1.1 TAPERED ROLLER BEARINGS - METRIC

35-55 mm
Z&S
Z&S BEARINGS



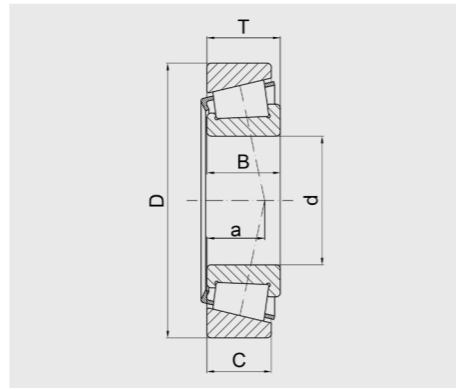
Shaft (mm)	Bearing No.	Bearing No. acc. to ISO 355	Series		Dimensions					
			SD	SB	d	D	B	T	C	a
35 cont.	30207 A	T3DB035	2	0	35	72	17	18,25	15,00	15
	32207 A	T3DC035	2	2	35	72	23	24,25	19,00	17
	33207 A	T2DE035	2	3	35	72	28	28,00	22,00	18
	30307 A	T2FB035	3	0	35	80	21	22,75	18,00	16
	31307 A	T7FB035	3	1	35	80	21	22,75	15,00	25
	32307 A	T2FE035	3	2	35	80	31	32,75	25,00	20
40	32908 A	T2BC040	9	2	40	62	15	15,00	12,00	11,9
	32008 AX	T3CD040	0	2	40	68	19	19,00	14,50	15
	33008 A	T2BE040	0	3	40	68	22	22,00	18,00	14,7
	33108 A	T2CE040	1	3	40	75	26	26,00	20,50	18
	30208 A	T3DB040	2	0	40	80	18	19,75	16,00	16
	32208 A	T3DC040	2	2	40	80	23	24,75	19,00	19
	33208 A	T2DE040	2	3	40	80	32	32,00	25,00	21
	T2EE040	T2EE040	-	-	40	85	32,5	33,00	28,00	21,9
	30308 A	T2FB040	3	0	40	90	23	25,25	20,00	22
	31308 A	T7FB040	3	1	40	90	23	25,25	17,00	19
	32308 A	T2FD040	3	2	40	90	33	35,25	27,00	28
45	32909 A	T2BC045	9	2	45	68	15	15,00	12,00	12,5
	32009 AX	T3CC045	0	2	45	75	20	20,00	15,50	16
	33009 A	T2CE045	0	3	45	75	24	24,00	19,00	16,4
	33109 A	T3CE045	1	3	45	80	26	26,00	20,50	19
	30209 A	T3DB045	2	0	45	85	19	20,75	16,00	18
	32209 A	T3DC045	2	2	45	85	23	24,75	19,00	20
	33209 A	T3DE045	2	3	45	85	32	32,00	25,00	22
	T7FC045	T7FC045	-	-	45	95	26,5	29,00	20,00	32,6
	T2ED045	T2ED045	-	-	45	95	35	36,00	30,00	23,8
	30309 A	T2FB045	3	0	45	100	25	27,25	22,00	21
	31309 A	T7FB045	3	1	45	100	25	27,25	18,00	31
	32309 A	T2FD045	3	2	45	100	36	38,25	30,00	25
50	32910 A	T2BC050	9	2	50	72	15	15,00	12,00	13,7
	32010 AX	T3CC050	0	2	50	80	20	20,00	15,50	18
	33010 A	T2CE050	0	3	50	80	24	24,00	19,00	17
	33110 A	T3CE050	1	3	50	85	26	26,00	20,00	20
	30210 A	T3DB050	2	0	50	90	20	21,75	17,00	19
	32210 A	T3DC050	2	2	50	90	23	24,75	19,00	21
	33210 A	T3DE050	2	3	50	90	32	32,00	24,50	23
	T2ED050	T2ED050	-	-	50	100	35	36,00	30,00	24,5
	T7FC050	T7FC050	-	-	50	105	29	32,00	22,00	35,9
	30310 A	T2FB050	3	0	50	110	27	29,25	23,00	23
	31310 A	T7FB050	3	1	50	110	27	29,25	19,00	34
	32310 A	T2FD050	3	2	50	110	40	42,25	33,00	27
55	32911 A	T2BC055	9	2	55	80	17	17,00	14,00	14,5
	32011 AX	T3CC055	0	2	55	90	23	23,00	17,50	20
	33011 A	T2CE055	0	3	55	90	27	27,00	21,00	19
	33111 A	T3CE055	1	3	55	95	30	30,00	23,00	22
	30211 A	T3DB055	2	0	55	100	21	22,75	18,00	20
	32211 A	T3DC055	2	2	55	100	25	26,75	21,00	22
	33211 A	T3DE055	2	3	55	100	35	35,00	27,00	25
	T2ED055	T2ED055	-	-	55	110	35	39,00	27,00	25
	T7FC055	T7FC055	-	-	55	115	31	34,00	23,50	27
	30311 A	T2FB055	3	0	55	120	29	31,50	25,00	24
	31311 A	T7FB055	3	1	55	120	29	31,50	21,00	37

Basic makes		
-	M	P5
✓	✓	✓

Weight (kg)	Basic load ratings (kN)		Limiting speed (rpm)		Bearing No.
	dyn. C	stat. Co	grease	oil	
0,3200	51,2	56	5300	7000	30207 A
0,4300	66	78	5300	7000	32207 A
0,5600	84,2	106	4800	6300	33207 A
0,5200	72,1	73,5	5000	6700	30307 A
0,5200	61,6	67	4500	6000	31307 A
0,7300	93,5	114	4500	6000	32307 A
0,1610	32,5	48	5900	7800	32908 A
0,2700	528	71	5300	7000	32008 AX
0,3120	59,5	82,5	5300	7100	33008 A
0,5100	79,2	104	5000	6700	33108 A
0,4200	61,6	68	4800	6300	30208 A
0,5300	74,8	86,5	4800	6300	32208 A
0,7700	105	132	4300	5600	33208 A
0,9000	114	143	4800	6400	T2EE040
0,7200	85,8	95	4500	6000	30308 A
0,7200	73,7	81,5	4000	5300	31308 A
1,0000	117	140	4000	5300	32308 A
0,1880	33,5	51,5	5300	7000	32909 A
0,3400	58,3	80	4800	6300	32009 AX
0,3980	66	93,5	4800	6400	33009 A
0,5600	84,2	114	4500	6000	33109 A
0,4800	66	76,5	4500	6000	30209 A
0,5800	80,9	98	4500	6000	32209 A
0,8200	108	143	4000	5300	33209 A
0,9430	94,1	118	3600	5100	T7FC045
1,2000	140	177	4300	5700	T2ED045
0,9700	108	120	4000	5300	30309 A
0,9500	91,3	102	3400	4500	31309 A
1,3500	140	170	3600	4800	32309 A
0,1910	35,5	57	4700	6300	32910 A
0,3700	60,5	88	4500	6000	32010 AX
0,4500	69,3	102	4500	6000	33010 A
0,5900	85,8	122	4300	5600	33110 A
0,5400	76,5	91,5	4300	5600	30210 A
0,6100	82,5	100	4300	5600	32210 A
0,9000	114	160	3800	5000	33210 A
1,2800	157	196	4100	5400	T2ED050
1,2500	113	140	3300	4600	T7FC050
1,2500	125	140	3600	4800	30310 A
1,2000	106	120	3200	4300	31310 A
1,8000	172	212	3200	4300	32310 A
0,2740	44,5	73,5	4300	5700	32911 A
0,5500	80,9	116	4000	5300	32011 AX
0,6700	89,7	137	4000	5300	33011 A
0,8600	110	156	3800	5000	33111 A
0,7000	89,7	106	3800	5000	30211 A
0,8300	106	129	3800	5000	32211 A
1,2000	138	190	3400	4500	33211 A
1,7000	179	232	3400	4500	T2ED055
1,5900	129	164	3000	4200	T7FC055
1,5500	142	163	3200	4300	30311 A
1,5500	121	137	2800	3800	31311 A

1.1 TAPERED ROLLER BEARINGS - METRIC

55-80 mm



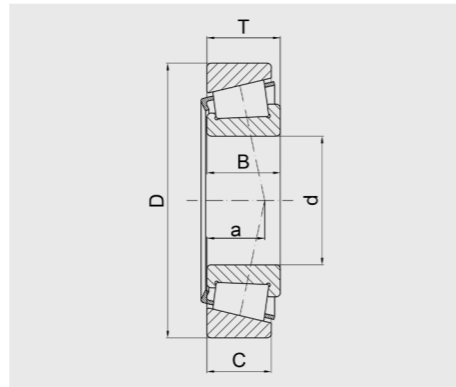
Shaft (mm)	Bearing No.	Bearing No. acc. to ISO 355	Series		Dimensions						
			SD	SB	d	D	B	T	C	a	
55 cont.	32311 A	T2FD055	3	2	55	120	43	45,50	35,00	29	
60	32912 A	T2BC060	9	2	60	85	17	17,00	14,00	15,6	
	32012 AX	T4CC060	0	2	60	95	23	23,00	17,50	21	
	33012 A	T2CE060	0	3	60	95	27	27,00	21,00	20	
	33112 A	T3CE060	1	3	60	100	30	30,00	23,00	23	
	30212 A	T3EB060	2	0	60	110	22	23,75	19,00	22	
	32212 A	T3EC060	2	2	60	110	28	29,75	24,00	24	
	33212 A	T3EE060	2	3	60	110	38	38,00	29,00	27	
	T5ED060	T5ED060	-	-	60	115	38	39,00	31,00	32,4	
	T2EE060	T2EE060	-	-	60	115	39	40,00	33,00	27,6	
	T7FC060	T7FC060	-	-	60	125	33,5	37,00	26,00	40,8	
	30312 A	T2FB060	3	0	60	130	31	33,50	26,00	26	
	31312 A	T7FB060	3	1	60	130	31	33,50	22,00	39	
	32312 A	T2FD060	3	2	60	130	46	48,50	37,00	31	
	65	32913 A	T2BC065	9	2	65	90	17	17,00	14,00	16,8
		32013 AX	T4CC065	0	2	65	100	23	23,00	17,50	22
33013 A		T2CE065	0	3	65	100	27	27,00	21,00	21	
33113 A		T3DE065	1	3	65	110	34	34,00	26,50	26	
30213 A		T3EB065	2	0	65	120	23	24,75	20,00	23	
32213 A		T3EC065	2	2	65	120	31	32,75	27,00	27	
T5ED065		T5ED065	-	-	65	120	38	39,00	31,00	35	
33213 A		T3EE065	2	3	65	120	41	41,00	32,00	29	
T7FC065		T7FC065	-	-	65	130	33,5	37,00	26,00	44	
30313 A		T2GB065	3	0	65	140	33	36,00	28,00	28	
31313 A		T7GB065	3	1	65	140	33	36,00	23,00	42	
32313 A		T2GD065	3	2	65	140	48	51,00	39,00	33	
70		32914 A	T2BC070	9	2	70	100	20	20,00	16,00	17,8
		32014 AX	T4CC070	0	2	70	110	25	25,00	19,00	23
		33014 A	T2CE070	0	3	70	110	31	31,00	25,50	23
	33114 A	T3DE070	1	3	70	120	37	37,00	29,00	28	
	30214 A	T3EB070	2	0	70	125	24	26,25	21,00	25	
	32214 A	T3EC070	2	2	70	125	31	33,25	27,00	28	
	33214 A	T3EE070	2	3	70	125	41	41,00	32,00	30	
	T2ED070	T2ED070	-	-	70	130	42	43,00	35,00	30,2	
	T7FC070	T7FC070	-	-	70	140	35,5	39,00	27,00	46,5	
	T4FE070	T4FE070	-	-	70	140	51	52,00	43,00	37,7	
	30314 A	T2GB070	3	0	70	150	35	38,00	30,00	29	
	31314 A	T7GB070	3	1	70	150	35	38,00	25,00	45	
	32314 A	T2GD070	3	2	70	150	51	54,00	42,00	36	
	75	32915 A	T2BC075	9	2	75	105	20	20,00	16,00	19
		32015 AX	T4CC075	0	2	75	115	25	25,00	19,00	25
33015 A		T2CE075	0	3	75	115	31	31,00	25,50	23	
33115 A		T3DE075	1	3	75	125	37	37,00	29,00	29	
30215 A		T4DB075	2	0	75	130	25	27,25	22,00	27	
32215 A		T4DC075	2	2	75	130	31	33,25	27,00	29	
33215 A		T3EE075	2	3	75	130	41	41,00	31,00	32	
T7FC075		T7FC075	-	-	75	150	38	42,00	29,00	50,6	
30315 A		T2GB075	3	0	75	160	37	40,00	31,00	31	
31315 A		T7GB075	3	1	75	160	37	40,00	26,00	48	
32315 A		T2GD075	3	2	75	160	55	58,00	45,00	38	
80		32916 A	T2BC080	9	2	80	110	20	20,00	16,00	20,1

Basic makes		
-	M	P5
✓	✓	✓

Weight (kg)	Basic load ratings (kN)		Limiting speed (rpm)		Bearing No.
	dyn. C	stat. Co	grease	oil	
2,3000	190	260	2800	3800	32311 A
0,2960	51	83	4000	5300	32912 A
0,5900	82,5	122	3800	5000	32012 AX
0,7100	91,3	143	3800	5000	33012 A
0,9200	117	170	3600	4800	33112 A
0,8800	99	114	3400	4500	30212 A
1,1500	125	160	3400	4500	32212 A
1,6000	168	236	3000	4000	33212 A
1,8100	158	227	3400	4600	T5ED060
1,8000	183	242	3400	4600	T2EE060
2,0300	153	194	2800	3900	T7FC060
1,9500	168	196	3000	4000	30312 A
1,9000	145	166	2600	3400	31312 A
2,8500	229	290	2600	3600	32312 A
0,3150	48,5	85	3700	4900	32913 A
0,6300	84,2	127	3400	4500	32013 AX
0,7800	96,8	156	3400	4500	33013 A
1,3000	142	208	3200	4300	33113 A
1,1500	114	134	3000	4000	30213 A
1,5000	151	193	3000	4000	32213 A
1,9300	151	232	3200	4300	T5ED065
2,0500	194	270	2800	3800	33213 A
2,1700	148	211	2600	3600	T7FC065
2,4000	194	228	2600	3600	30313 A
2,3500	165	193	2200	3200	31313 A
3,4500	264	335	2400	3400	32313 A
0,4870	68,5	110	3400	4600	32914 A
0,8400	101	153	3200	4300	32014 AX
1,1000	130	196	3200	4300	33014 A
1,7000	172	250	3000	4000	33114 A
1,2500	125	156	3000	4000	30214 A
1,6000	157	208	2800	3800	32214 A
2,1000	201	285	2600	3600	33214 A
2,4800	233	319	3000	4000	T2ED070
2,6400	177	242	2400	3400	T7FC070
3,6900	264	382	2900	3800	T4FE070
2,9000	220	260	2400	3400	30314 A
2,9500	187	220	2000	3000	31314 A
4,3000	297	380	2200	3200	32314 A
0,5110	69,5	114	3200	4300	32915 A
0,9000	106	163	3000	4000	32015 AX
1,1500	134	228	3000	4000	33015 A
1,8000	176	265	2800	3800	33115 A
1,4000	140	176	2800	3800	30215 A
1,7000	161	212	2600	3600	32215 A
2,2500	209	300	2400	3400	33215 A
3,2400	191	270	2200	3100	T7FC075
3,4500	246	290	2200	3200	30315 A
3,5000	209	245	1900	2800	31315 A
5,2000	336	440	2000	3000	32315 A
0,5400	72	121	3000	4000	32916 A

1.1 TAPERED ROLLER BEARINGS - METRIC

80-100 mm
Z&S BEARINGS



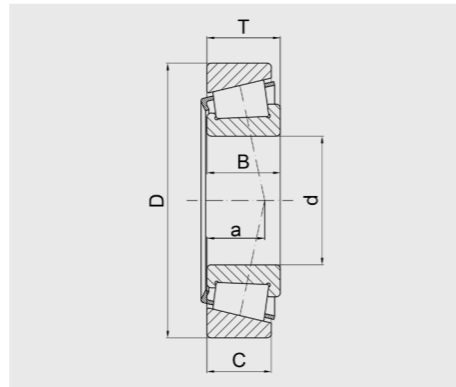
Shaft (mm)	Bearing No.	Bearing No. acc. to ISO 355	Series		Dimensions						
			SD	SB	d	D	B	T	C	a	
80 cont.	32016 AX	T3CC080	0	2	80	125	29	29,00	22,00	27	
	33016 A	T2CE080	0	3	80	125	36	36,00	29,50	26	
	33116 A	T3DE080	1	3	80	130	37	37,00	29,00	30	
	30216 A	T3EB080	2	0	80	140	26	28,25	22,00	28	
	32216 A	T3EC080	2	2	80	140	33	35,25	28,00	30	
	33216 A	T3EE080	2	3	80	140	46	46,00	35,00	35	
	T2ED080	T2ED080	-	-	80	145	45	46,00	38,00	32,7	
	30316 A	T2GB080	3	0	80	170	39	42,50	33,00	33	
	31316 A	T7GB080	3	1	80	170	39	42,50	27,00	52	
	32316 A	T2GD080	3	2	80	170	58	61,50	48,00	41	
	85	32917 A	T2BC085	9	2	85	120	23	23,00	18,00	21,2
		32017 AX	T4CC085	0	2	85	130	29	29,00	22,00	28
33017 A		T2CE085	0	3	85	130	36	36,00	29,50	26	
33117 A		T3DE085	1	3	85	140	41	41,00	32,00	32	
30217 A		T3EB085	2	0	85	150	28	30,50	24,00	30	
32217 A		T3EC085	2	2	85	150	36	38,50	30,00	33	
33217 A		T3EE085	2	3	85	150	49	49,00	37,00	37	
30317 A		T2GB085	3	0	85	180	41	44,50	34,00	35	
31317 A		T7GB085	3	1	85	180	41	44,50	28,00	55	
32317 A		T2GD085	3	2	85	180	60	53,50	49,00	42	
90		32918 A	T2BC090	9	2	90	125	23	23,00	18,00	22,3
		32018 AX	T3CC090	0	2	90	140	32	32,00	24,00	30
	33018 A	T2CE090	0	3	90	140	39	39,00	32,50	27	
	33118 A	T3DE090	1	3	90	150	45	45,00	35,00	35	
	T2ED090	T2ED090	-	-	90	155	46	46,00	38,00	33,5	
	30218 A	T3FB090	2	0	90	160	30	32,50	26,00	31	
	32218 A	T3FC090	2	2	90	160	40	42,50	34,00	36	
	33218 A	T3FC090	2	3	90	160	55	55,00	42,00	40,8	
	T7FC090	T7FC090	-	-	90	175	45	48,00	33,00	57	
	30318 A	T2GB090	3	0	90	190	43	46,50	36,00	36	
	31318 A	T7GB090	3	1	90	190	43	46,50	30,00	57	
	32318 A	T2GD090	3	2	90	190	64	67,50	53,00	44	
95	32919 A	T2BC095	9	2	95	130	23	23,00	18,00	23,5	
	32019 AX	T4CC095	0	2	95	145	32	32,00	24,00	31	
	33019 A	T2CE095	0	3	95	145	39	39,00	32,50	28	
	T2ED095	T2ED095	-	-	95	160	46	46,00	38,00	34,6	
	33119 A	T3EE095	1	3	95	160	49	49,00	38,00	37,3	
	30219 A	T3FB095	2	0	95	170	32	34,50	27,00	33	
	32219 A	T3FC095	2	2	95	170	43	45,50	37,00	39	
	33219 A	T3FE095	2	3	95	170	58	58,00	44,00	42,8	
	30319 A	T2GB095	3	0	95	200	45	49,50	38,00	39	
	31319 A	T7GB095	3	1	95	200	45	49,50	32,00	60	
	32319 A	T2GD095	3	2	95	200	67	71,50	55,00	47	
	100	32920 A	T2CC100	9	2	100	140	25	25,00	20,00	24
T4CB100		T4CB100	-	-	100	145	22,5	24,00	17,50	29,9	
32020 AX		T4CC100	0	2	100	150	32	32,00	24,00	32	
33020 A		T2CE100	0	3	100	150	39	39,00	32,50	29	
T2EE100		T2EE100	-	-	100	165	46	47,00	39,00	35,1	
33120 A		T3EE100	1	3	100	165	52	52,00	40,00	40,1	
30220 A		T3FB100	2	0	100	180	34	37,00	29,00	35	
32220 A		T3FC100	2	2	100	180	46	49,00	39,00	41	
33220 A		T3FE100	2	3	100	180	63	63,00	48,00	43	

Basic makes		
-	M	P5
✓	✓	✓

Weight (kg)	Basic load ratings (kN)		Limiting speed (rpm)		Bearing No.
	dyn. C	stat. Co	grease	oil	
1,3000	138	216	2600	3600	32016 AX
1,6500	168	285	2600	3600	33016 A
1,9000	179	280	2600	3600	33116 A
1,6000	151	183	2400	3400	30216 A
2,0500	187	245	2400	3400	32216 A
2,9000	251	375	2200	3200	33216 A
3,2000	266	381	2600	3500	T2ED080
4,1000	270	320	2000	3000	30316 A
4,0500	224	265	1900	2800	31316 A
6,2000	380	500	1900	2800	32316 A
0,7730	94	157	2800	3800	32917 A
1,3500	140	224	2400	3400	32017 AX
1,7500	183	310	2600	3600	33017 A
2,4500	220	340	2400	3400	33117 A
2,0500	176	220	2200	3200	30217 A
2,6000	212	285	2200	3200	32217 A
3,7000	286	430	2000	3000	33217 A
4,8300	303	365	1900	2800	30317 A
4,6000	242	285	1800	2600	31317 A
6,8500	402	530	1800	2600	32317 A
0,8170	97,5	168	2700	3600	32918 A
1,7500	168	270	2200	3200	32018 AX
2,2000	216	355	2200	3200	33018 A
3,1000	251	390	2000	3000	33118 A
3,4700	273	405	2400	3200	T2ED090
2,5500	194	245	2000	3000	30218 A
3,3500	251	340	2000	3000	32218 A
4,7205	343	527	2400	3200	33218 A
4,9500	270	380	1700	2400	T7FC090
5,6500	330	400	1800	2600	30318 A
5,9000	264	315	1700	2400	31318 A
8,4000	457	610	1700	2400	32318 A
0,8510	101	178	2500	3400	32919 A
1,8000	16,8	270	2200	3200	32019 AX
2,3000	220	375	2200	3200	33019 A
3,6200	281	427	2300	3100	T2ED095
4,0095	304	473	2300	3100	33119 A
3,0000	216	275	1900	2800	30219 A
4,0500	281	390	1900	2800	32219 A
5,5620	374	582	2200	2900	33219 A
6,7000	330	390	1800	2600	30319 A
6,9500	292	355	1700	2400	31319 A
11,0000	501	670	1700	2400	32319 A
1,1400	121	206	2400	3200	32920 A
1,1200	116	167	2400	3200	T4CB100
1,9000	172	280	2000	3000	32020 AX
2,4000	224	390	2000	3000	33020 A
3,8600	293	458	2200	3000	T2EE100
4,4280	325	523	2200	3000	33120 A
3,6500	246	320	1900	2800	30220 A
4,9000	319	440	1800	2600	32220 A
6,3495	431	680	2100	2800	33220 A

1.1 TAPERED ROLLER BEARINGS - METRIC

100-140 mm
Z&S
Z&S BEARINGS



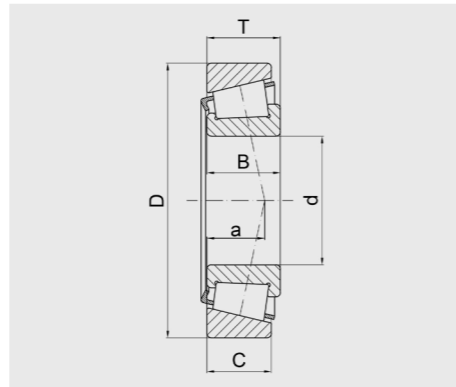
Shaft (mm)	Bearing No.	Bearing No. acc. to ISO 355	Series		Dimensions					
			SD	SB	d	D	B	T	C	a
100 cont.	30320 A	T2GB100	3	0	100	215	47	51,50	39,00	40
	31320 A	T7GB100	3	1	100	215	51	56,50	35,00	65
	32320 A	T2GD100	3	2	100	215	73	77,50	60,00	51
105	32921 A	T2CC105	9	2	105	145	25	25,00	20,00	25,1
	32021 AX	T4DC105	0	2	105	160	35	35,00	26,00	34
	33021 A	T2DE105	0	3	105	160	43	43,00	34,00	31
	33121 A	T3EE105	1	3	105	175	56	56,00	44,00	43,2
	30221 A	T3FB105	2	0	105	190	36	39,00	30,00	37
	32221 A	T3FC105	2	2	105	190	50	53,00	43,00	44
	33221 A	T3FE105	2	3	105	190	68	68,00	52,00	48,8
	31321 A	T7GB105	3	1	105	225	53	58,00	36,00	68
	32321 A	T2GD105	3	2	105	225	77	81,50	63,00	53
	32922 A	T2CC110	9	2	110	150	25	25,00	20,00	26
110	T4CB110	T4CB110	-	-	110	160	25,5	27,00	19,50	31,8
	32022 AX	T4DC110	0	2	110	170	38	38,00	29,00	36
	33022 A	T2DE110	0	3	110	170	47	47,00	37,00	34
	33122 A	T3EE110	1	3	110	180	56	56,00	43,00	44
	30222 A	T3FB110	2	0	110	200	38	41,00	32,00	39
	32222 A	T3FC110	2	2	110	200	53	56,00	46,00	46
	30322 A	T2GB110	3	0	110	240	50	54,50	42,00	43
	31322 A	T7GB110	3	1	110	240	57	63,00	38,00	72
	32322 A	T2GD110	3	2	110	240	80	84,50	65,00	55
	32924 A	T2CC120	9	2	120	165	29	29,00	23,00	29,4
	T4CB120	T4CB120	-	-	120	170	25	27,00	19,50	34,6
	32024 AX	T4DC120	0	2	120	180	38	38,00	29,00	39
	33024 A	T2DE120	0	3	120	180	48	48,00	38,00	36
	33124 A	T3FE120	1	3	120	200	62	62,00	48,00	47,8
	30224 A	T4FB120	2	0	120	215	40	43,50	34,00	43
32224 A	T4FD120	2	2	120	215	58	61,50	50,00	51	
120	30324 A	T2GB120	3	0	120	260	55	59,50	46,00	47
	31324 A	T7GB120	3	1	120	260	62	68,00	42,00	78
	32324 A	T2GD120	3	2	120	260	86	90,50	69,00	60
	32926 A	T2CC130	9	2	130	180	32	32,00	25,00	31
	T4CB130	T4CB130	-	-	130	185	27	29,00	21,00	37,8
	32026 AX	T4EC130	0	2	130	200	45	45,00	34,00	42
	33026 A	T2EE130	0	3	130	200	55	55,00	47,00	42,5
	30226 A	T4FB130	2	0	130	230	40	43,75	34,00	45
	32226 A	T4FD130	2	2	130	230	64	67,75	54,00	56
	30326 A	T2GB130	3	0	130	280	58	63,75	49,00	51
130	31326 A	T7GB130	3	1	130	280	66	72,00	44,00	84
	32326 A	-	3	2	130	280	93	98,75	78,00	66
	32928 A	T2CC140	9	2	140	190	32	32,00	25,00	33
	T4CB140	T4CB140	-	-	140	195	27	29,00	21,00	40,9
	32028 AX	T4DC140	0	2	140	210	45	45,00	34,00	46
	33028 A	T2DE140	0	3	140	210	56	56,00	47,00	45,6
	30228 A	T4FB140	2	0	140	250	42	45,75	36,00	47
	32228 A	T4FD140	2	2	140	250	68	71,75	58,00	60
	30328 A	T2GB140	3	0	140	300	62	67,75	53,00	54
	31328 A	T7GB140	3	1	140	300	70	77,00	47,00	90
140	32328 A	-	3	2	140	300	102	107,75	85,00	74,2

Basic makes		
-	M	P5
✓	✓	✓

Weight (kg)	Basic load ratings (kN)		Limiting speed (rpm)		Bearing No.
	dyn. C	stat. Co	grease	oil	
8,0500	402	490	1700	2400	30320 A
8,6000	374	465	1600	2200	31320 A
12,5000	572	780	1600	2200	32320 A
1,2000	126	219	2300	3000	32921 A
2,4000	201	335	1900	2800	32021 AX
3,0500	246	430	1900	2800	33021 A
5,4000	360	607	2100	2800	33121 A
4,2500	270	355	1800	2600	30221 A
6,0000	358	510	1800	2600	32221 A
8,3160	497	790	2000	2600	33221 A
9,6500	402	500	1500	2000	31321 A
14,5000	605	815	1500	2000	32321 A
1,2300	127	226	2200	2900	32922 A
1,6300	146	225	2200	2900	T4CB110
3,0500	233	390	1800	2600	32022 AX
3,8500	281	500	1800	2600	33022 A
5,5980	369	634	2000	2700	33122 A
5,1000	308	405	1700	2400	30222 A
7,1000	402	570	1700	2400	32222 A
11,0000	473	585	6600	2200	30322 A
12,0000	457	585	1400	1900	31322 A
17,0000	627	830	1400	1900	32322 A
1,7700	162	294	2000	2600	32924 A
1,7600	164	262	2000	2700	T4CB120
3,2500	242	415	1700	2400	32024 AX
4,2000	292	540	1800	2600	33024 A
7,8435	462	785	1800	2400	33124 A
6,1500	341	465	1600	2200	30224 A
9,1500	468	695	1600	2200	32224 A
14,0000	561	710	1500	2000	30324 A
15,5000	539	695	1200	1700	31324 A
21,5000	792	1120	1300	1800	32324 A
2,3600	194	350	1800	2400	32926 A
2,2200	183	282	1800	2500	T4CB130
4,9500	314	540	1600	2200	32026 AX
6,2685	390	705	1700	2300	33026 A
7,6000	369	490	1500	2000	30226 A
11,5000	550	830	1500	2000	32226 A
17,0000	627	800	1300	1800	30326 A
18,5000	605	780	1100	1600	31326 A
30,5000	858	1180	1100	1600	32326 A
2,5100	200	375	1700	2200	32928 A
2,3600	185	293	1700	2300	T4CB140
5,2500	330	585	1600	2200	32028 AX
6,6960	406	758	1600	2200	33028 A
8,6500	418	570	1400	1900	30228 A
14,5000	644	1000	1400	1900	32228 A
21,0000	737	950	1200	1700	30328 A
24,5000	693	900	1000	1500	31328 A
37,2150	1100	1570	1300	1700	32328 A

1.1 TAPERED ROLLER BEARINGS - METRIC

150-240 mm
Z&S BEARINGS PRODUCTION



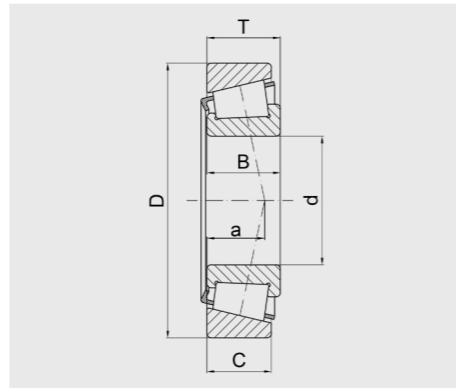
Shaft (mm)	Bearing No.	Bearing No. acc. to ISO 355	Series		Dimensions					
			SD	SB	d	D	B	T	C	a
150	T4DB150	T4DB150	-	-	150	210	30	32,00	23,00	41
	32930 A	T2DC150	9	2	150	210	38	38,00	30,00	36,1
	32030 AX	T4EC150	0	2	150	225	48	48,00	36,00	49
	33030 A	T3EE150	0	3	150	225	59	59,00	49,00	48
	30230 A	T4GB150	2	0	150	270	45	49,00	38,00	50
	32230 A	T4GD150	2	2	150	270	73	77,00	60,00	64
	30330 A	T2GB150	3	0	150	320	65	72,00	55,00	58
	31330 A	T7GB150	3	1	150	320	75	82,00	50,00	96
	32330 A	-	3	2	150	320	108	114,00	90,00	76
	32330 A	-	3	2	150	320	108	114,00	90,00	76
160	T4DB160	T4DB160	-	-	160	220	30	32,00	23,00	44,7
	32932 A	T2DC160	9	2	160	220	38	38,00	30,00	38,4
	32032 AX	T4EC160	0	2	160	240	51	51,00	38,00	52
	30232 A	T4GB160	2	0	160	290	48	52,00	40,00	54
	32232 A	T4GD160	2	2	160	290	80	84,00	67,00	70
	30332 A	T2GB160	3	0	160	340	68	75,00	58,00	61
	32332 A	-	3	2	160	340	114	121,00	95,00	83
	32332 A	-	3	2	160	340	114	121,00	95,00	83
	32934 A	T3DC170	9	2	170	230	38	38,00	30,00	42
	32034 AX	T4EC170	0	2	170	260	57	57,00	43,00	56
170	30234 A	T4GB170	2	0	170	310	52	57,00	43,00	58
	32234 A	T4GD170	2	2	170	310	86	91,00	71,00	75
	30334 A	T2GB170	3	0	170	360	72	80,00	62,00	66
	32334 A	-	3	2	170	360	120	127,00	100,00	86,1
	32334 A	-	3	2	170	360	120	127,00	100,00	86,1
	32936 A	T4DC180	9	2	180	250	45	45,00	34,00	53
	32036 AX	T3FD180	0	2	180	280	64	64,00	48,00	59
	30236 A	T4GB180	2	0	180	320	52	57,00	43,00	61
	32236 A	T4GD180	2	2	180	320	86	91,00	71,00	78
	30336 A	-	3	0	180	380	75	83,00	64,00	71
180	32336 A	-	3	2	180	380	126	134,00	106,00	91,8
	32938 A	T4DC190	9	2	190	260	45	45,00	34,00	55
	32038 AX	T4FD190	0	2	190	290	64	64,00	48,00	62
	30238 A	T4GB190	2	0	190	340	55	60,00	46,00	63
	32238 A	T4GD190	2	2	190	340	92	97,00	75,00	81
	30338 A	-	3	0	190	400	78	86,00	65,00	73,2
	32338 A	-	3	2	190	400	132	140,00	109,00	96,5
	32940 A	T3EC200	9	2	200	280	51	51,00	39,00	53
	32040 AX	T4FD200	0	2	200	310	70	70,00	53,00	66
	30240 A	T4GB200	2	0	200	360	58	64,00	48,00	68
200	30340 A	-	3	0	200	420	80	89,00	67,00	79,8
	32340 A	-	3	2	200	420	138	146,00	115,00	102,9
	32944 A	T3EC220	9	2	220	300	51	51,00	39,00	58,6
	32044 AX	T4FD220	0	2	220	340	76	76,00	57,00	72
	30244 A	-	2	0	220	400	65	72,00	54,00	74
	32244 A	-	2	2	220	400	108	114,00	90,00	95,9
	30344 A	-	3	0	220	460	88	97,00	73,00	84,6
	32344 A	-	3	2	220	460	146	154,00	121,00	109,8
	32948 A	T4EC240	9	2	240	320	51	51,00	39,00	64
	32048 AX	T4FD240	0	2	240	360	76	76,00	57,00	78
240	T4EB240	T4EB240	-	-	240	320	39	42,00	30,00	60
	30248 A	-	2	0	240	440	72	79,00	60,00	82,7

Basic makes		
-	M	P5
✓	✓	✓

Weight (kg)	Basic load ratings (kN)		Limiting speed (rpm)		Bearing No.
	dyn. C	stat. Co	grease	oil	
3,0500	233	390	1500	2000	T4DB150
3,9200	268	490	1600	2100	32930 A
6,3500	369	655	1500	2000	32030 AX
8,1945	459	869	1500	2000	33030 A
11,0000	429	560	1300	1800	30230 A
17,5000	737	1140	1200	1700	32230 A
28,5000	825	1060	1100	1600	30330 A
29,5000	781	1020	950	1400	31330 A
46,0000	1170	1660	950	1400	32330 A
3,2300	225	379	1500	2000	T4DB160
4,1500	276	520	1500	1900	32932 A
7,7500	429	780	1300	1800	32032 AX
13,0000	528	735	1100	1600	30232 A
25,5000	880	1400	1100	1600	32232 A
29,0000	913	1180	1000	1500	30332 A
49,3065	1220	1720	1100	1400	32332 A
4,4000	286	560	1400	1800	32934 A
10,5000	512	915	1200	1700	32034 AX
19,0000	616	865	1000	1500	30234 A
28,5000	1010	1630	1000	1500	32234 A
35,0000	1020	1340	950	1400	30334 A
61,8075	1310	1830	1000	1300	32334 A
6,5400	350	700	1300	1700	32936 A
14,5000	644	1160	1100	1600	32036 AX
20,0000	583	815	1000	1500	30236 A
29,5000	1010	1630	950	1400	32236 A
41,5665	901	1110	940	1300	30336 A
68,1570	1410	1980	960	1300	32336 A
6,7700	355	710	1200	1600	32938 A
15,0000	660	1200	1000	1500	32038 AX
24,0000	721	1000	950	1400	30238 A
36,0000	1190	1930	900	1300	32238 A
47,3220	1010	1250	880	1200	30338 A
81,4500	1550	2190	890	1200	32338 A
8,8800	485	895	1100	1500	32940 A
19,5000	748	1370	950	1400	32040 AX
25,0000	792	1120	900	1300	30240 A
51,5880	1120	1450	820	1100	30340 A
89,7840	1790	2580	830	1100	32340 A
6,4500	396	830	1000	1500	T2DC220
10,2000	480	950	1000	1400	32944 A
25,5000	897	1660	900	1300	32044 AX
40,0000	990	1400	850	1200	30244 A
60,0000	1610	2700	800	1100	32244 A
67,5630	1260	1680	730	980	30344 A
8,4500	429	815	900	1300	T4EB240
10,9000	490	1000	940	1200	32948 A
27,5000	935	1800	850	1200	32048 AX
45,5355	1230	1790	730	980	30248 A

1.1 TAPERED ROLLER BEARINGS - METRIC

240-360 mm
Z&S BEARINGS PRODUCTION

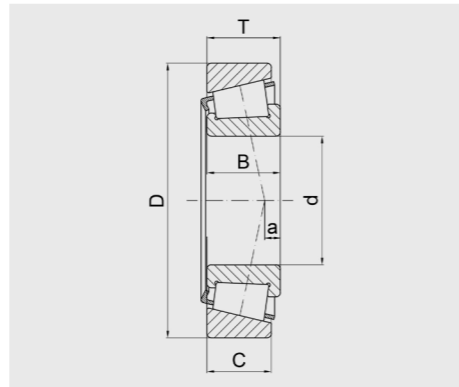


Shaft (mm)	Bearing No.	Bearing No. acc. to ISO 355	Series		Dimensions					
			SD	SB	d	D	B	T	C	a
240 cont.	32248 A	-	2	2	240	440	120	127,00	100,00	105
260	32952 A	T3EC260	9	2	260	360	63,5	63,5	48,00	69,6
	32052 AX	T4FC260	0	2	260	400	87	87,00	65,00	84
	30252 A	-	2	0	260	480	80	89,00	67,00	93,6
280	32252 A	-	2	2	260	480	130	137,00	106,00	112
	32956 A	T4EC280	9	2	280	380	63,5	63,5	48,00	74
	32056 AX	T4FC280	0	2	280	420	87	87,00	65,00	89
300	30256 A	-	2	0	280	500	80	89,00	67,00	96,2
	32256 A	-	2	2	280	500	130	137,00	106,00	117,2
	32960 A	T3FD300	9	2	300	420	76	76,00	57,00	79
320	32060 AX	T4GD300	0	2	300	460	100	100,00	74,00	97,9
	30260 A	-	2	0	300	540	85	96,00	71,00	103,9
	32964 A	T3FD320	9	2	320	440	76	76,00	57,00	85
340	32064 AX	T4GD320	0	2	320	480	100	100,00	74,00	103
	30264 A	-	2	0	320	580	92	104,00	75,00	111,9
	32968 A	T4FD340	9	2	340	460	76	76,00	57,00	90,5
360	32972 A	T4FD360	9	2	360	480	76	76,00	57,00	96,2

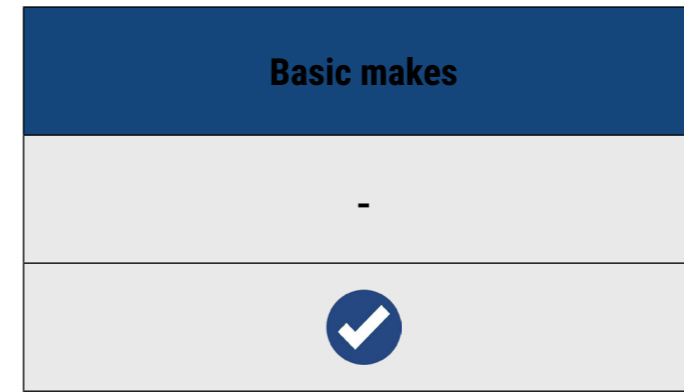
Basic makes		
-	M	P5
✓	✓	✓

Weight (kg)	Basic load ratings (kN)		Limiting speed (rpm)		Bearing No.
	dyn. C	stat. C ₀	grease	oil	
81,5000	1940	3350	750	1000	32248 A
18,8000	705	1430	860	1100	32952 A
40,0000	1170	2200	800	1100	32052 AX
63,5940	1210	1860	650	870	30252 A
106,1550	1760	2870	660	880	32252 A
20,0000	725	1520	790	1100	32956 A
40,5000	1210	2360	750	1000	32056 AX
67,5090	1260	1920	610	810	30256 A
111,1140	1860	3150	610	810	32256 A
31,4000	1010	2090	720	970	32960 A
59,6000	1490	2830	680	910	32060 AX
83,6325	1510	2360	550	730	30260 A
33,1000	1010	2150	670	900	32964 A
64,0000	1540	3100	630	850	32064 AX
106,1550	1740	2770	490	660	30264 A
34,9000	1040	2270	670	900	32968 A
36,6000	1050	2330	590	780	32972 A

1.2 TAPERED ROLLER BEARINGS - INCH



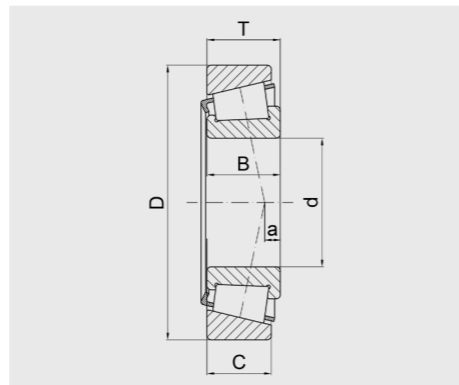
Bearing No.	Dimensions					
	d	D	B	T	C	a
00050/00150	12,700	38,100	14,072	11,112	13,495	5,10
L21549/11	15,875	34,988	10,998	8,712	10,998	3,30
03062/03162	15,875	41,275	14,681	11,112	14,288	5,10
11590/11520	15,875	42,862	14,288	9,525	14,288	1,30
17580/17520	15,875	42,862	16,670	13,495	16,670	5,80
HM81649/10	15,875	46,975	21,000	16,000	21,000	6,10
05062/05185	15,875	47,000	14,381	11,112	14,381	4,10
09062/09195	15,875	49,225	21,539	14,288	19,845	9,10
21063/21212	15,875	53,975	21,839	15,875	22,225	5,80
05066/05185	16,993	47,000	14,381	11,112	14,381	4,10
LM11749/10	17,462	39,878	14,605	10,668	13,843	5,10
LM11949/10	19,050	45,237	16,637	12,065	15,494	5,60
05075/05185	19,050	47,000	14,381	11,112	14,381	4,10
09067/09195	19,050	49,225	19,050	14,288	18,034	7,40
09067/09194	19,050	49,225	19,050	17,462	21,209	7,40
09067/09196	19,050	49,225	19,050	17,462	21,209	7,40
09074/09195	19,050	49,225	21,539	14,288	19,845	9,10
09078/09195	19,050	49,225	21,539	14,288	19,845	9,10
21075/21212	19,050	53,975	21,839	15,875	22,225	5,80
1775/1729	19,050	56,896	19,837	15,875	19,368	6,90
05079/05185	19,987	47,000	14,381	11,112	14,381	4,10
07079/07196	20,000	50,005	14,260	9,525	13,495	2,80
09081/09195	20,625	49,225	21,539	14,288	19,845	9,10
12580/12520	20,638	49,225	19,845	15,875	19,845	7,10
M12649/10	21,430	50,005	18,288	13,970	17,526	6,40
LM12749/10	21,986	45,237	16,637	12,065	15,494	5,30
LM12749/11	21,986	45,974	16,637	12,065	15,494	5,30
LL52549/10	22,225	42,070	11,176	8,636	11,176	1,80
M12648/10	22,225	50,005	18,288	13,970	17,526	6,40
07087/07196	22,225	50,050	14,260	9,525	13,495	2,80
1380/1328	22,225	52,388	20,168	14,288	19,368	7,60
1380/1329	22,225	53,975	20,168	14,288	19,368	7,60
1755/1729	22,225	56,896	19,837	15,875	19,368	6,90
1280/1220	22,225	57,150	22,225	17,462	22,225	6,90
1975/1932	22,225	58,738	19,355	15,080	19,050	5,80
2684/2631	22,225	66,421	25,433	19,050	23,812	9,40
LM72849/10	22,606	47,000	15,500	12,000	15,500	3,00
07093/07196	23,812	50,005	14,260	9,525	13,495	2,80
L44640/10	23,812	50,292	14,732	10,668	14,224	3,30
1779/1729	23,812	56,896	19,837	15,875	19,367	6,90
3659/3620	23,812	61,912	30,416	23,812	28,575	11,90
23092/23256	23,812	65,088	21,463	15,875	22,225	2,30
JHM33449/10	24,000	55,000	25,000	21,000	25,000	8,90
07098/07196	24,981	50,005	14,260	9,525	13,495	2,80
17098/17244	24,981	62,000	16,566	14,288	16,002	3,60
07097/07196	25,000	50,005	14,260	9,525	13,495	2,80
07096/07196	25,159	50,005	14,260	9,525	13,495	2,80
07100/07196	25,400	50,005	14,260	9,525	13,495	2,80



Note : In the following tables dimensions for inch series are given in mm

Weight (kg)	Basic load ratings (kN)		Limiting speed (rpm)		Bearing No.
	dyn. C	stat. Co	grease	oil	
0,08	19,3	17,1	10000	15000	00050/00150
0,05	14,1	13,9	10000	15000	L21549/11
0,09	22,2	21,3	9500	14000	03062/03162
0,1	17,4	17,4	8500	12000	11590/11520
0,11	29,1	29,2	9800	13000	17580/17520
0,18	37,1	39,3	8200	11000	HM81649/10
0,13	24,7	25,4	8600	11000	05062/05185
0,2	39,7	40,5	8500	11000	09062/09195
0,26	43	42,5	7200	9600	21063/21212
0,12	24,7	25,4	8600	11000	05066/05185
0,08	22,9	23,4	9000	13000	LM11749/10
0,12	30,6	32	8500	12000	LM11949/10
0,12	24,7	25,4	8600	11000	05075/05185
0,17	39,7	40,5	8000	11000	09067/09195
0,18	39,7	40,5	8500	11000	09067/09194
0,19	39,7	40,5	8000	11000	09067/09196
0,18	39,7	40,5	8000	11000	09074/09195
0,18	39,7	40,5	8000	11000	09078/09195
0,24	43	42,5	7500	10000	21075/21212
0,26	42	45,3	7200	9600	1775/1729
0,11	24,7	25,4	8600	11000	05079/05185
0,14	27	29,6	7500	10000	07079/07196
0,17	39,7	40,5	8000	11000	09081/09195
0,18	40,4	43,2	8200	11000	12580/12520
0,16	40,8	43,5	8000	11000	M12649/10
0,12	30,2	35,3	8000	11000	LM12749/10
0,12	30,2	35,3	8000	11000	LM12749/11
0,07	15,3	16,8	9000	13000	LL52549/10
0,17	40,8	43,5	8000	11000	M12648/10
0,12	27	29,6	7500	10000	07087/07196
0,2	44,3	48,3	7500	10000	1380/1328
0,22	44,3	48,3	7600	10000	1380/1329
0,24	42	45,3	7200	9600	1755/1729
0,28	51,2	55,1	7100	9500	1280/1220
0,26	44,8	50,2	7500	10000	1975/1932
0,46	71	81,7	6200	8200	2684/2631
0,12	27,5	33	8200	11000	LM72849/10
0,12	27	29,6	7500	10000	07093/07196
0,12	27,8	32,9	7400	10000	L44640/10
0,24	42	45,3	7200	9600	1779/1729
0,43	82	89,8	6200	8200	3659/3620
0,37	50,6	55,8	5700	7600	23092/23256
0,29	62,1	71	6100	8200	JHM33449/10
0,11	27	29,6	7500	10000	07098/07196
0,25	40	44,1	6700	9000	17098/17244
0,11	27	29,6	7500	10000	07097/07196
0,11	27	29,6	7500	10000	07096/07196
0,11	27	29,6	7500	10000	07100/07196

1.2 TAPERED ROLLER BEARINGS - INCH



1-1125 Inch



Bearing No.	Dimensions					
	d	D	B	T	C	a
L44643/10	25,400	50,292	14,732	10,668	14,224	3,30
L44642/10	25,400	50,292	14,732	10,668	14,224	3,30
07100/07204	25,400	51,994	14,260	12,700	15,011	2,80
1986/1922	25,400	56,896	19,355	15,875	19,368	5,80
M84548/10	25,400	57,150	19,431	14,732	19,845	3,00
1780/1729	25,400	57,150	19,837	15,875	19,431	6,90
M84249/10	25,400	59,530	23,114	18,288	23,368	5,10
15578/15523	25,400	60,325	17,462	15,875	19,842	5,10
15101/15243	25,400	61,912	20,638	14,288	19,050	5,80
15100/15245	25,400	62,000	20,638	14,638	19,050	5,80
15101/15244	25,400	62,000	20,638	15,875	20,638	5,80
15101/15245	25,400	62,000	20,638	14,288	19,050	5,80
15102/15245	25,400	62,000	20,638	14,288	19,050	5,80
15101/15250	25,400	63,500	20,638	15,875	20,638	5,80
M86643/10	25,400	64,292	21,433	16,670	21,433	3,30
23100/23256	25,400	65,088	21,463	15,875	22,225	2,30
2687/2631	25,400	66,421	25,433	19,050	23,812	9,40
02473/02420	25,400	68,262	22,225	17,462	22,225	5,10
M88036/11	25,400	68,262	22,225	17,462	22,225	2,80
HM88630/10	25,400	72,233	25,400	19,842	25,400	4,60
3189/3120	25,400	72,626	29,997	23,812	30,162	10,20
15103/15245	26,157	62,000	20,638	14,288	19,050	5,80
2682/2630	26,162	63,100	25,433	19,050	23,812	9,40
2682/2631	26,162	66,421	25,433	19,050	23,812	9,40
1987/1932	26,975	58,738	19,355	15,080	19,050	5,80
L44649/10	26,988	50,292	14,732	10,668	14,224	3,30
15580/15523	26,988	60,325	17,462	15,875	19,842	5,10
15106/15245	26,988	62,000	20,638	14,288	19,050	5,80
2688/2631	26,988	66,421	25,433	19,050	23,812	9,40
J15585/20	28,000	57,150	17,462	13,495	17,462	5,10
1985/1930	28,575	56,896	19,355	15,875	19,845	5,80
15590/15520	28,575	57,150	17,462	13,495	17,462	5,10
1988/1922	28,575	57,150	19,355	15,875	19,845	5,80
1985/1932	28,575	58,738	19,355	15,080	19,050	5,80
1988/1932	28,575	58,738	19,355	15,080	19,050	5,80
15590/15523	28,575	60,325	17,462	15,875	19,842	5,10
1985/1931	28,575	60,325	19,355	15,875	19,845	5,80
15112/15245	28,575	62,000	20,638	14,288	19,050	5,80
15113/15245	28,575	62,000	20,638	14,288	19,050	5,80
M86647/10	28,575	64,292	21,433	16,670	21,433	3,30
2689/2631	28,575	66,421	25,433	19,050	23,812	9,40
02474/02420	28,575	68,262	22,225	17,462	22,225	5,10
2474/2420	28,575	68,262	23,812	17,462	22,225	6,60
2578/2523	28,575	69,850	25,357	19,050	23,812	8,60
26112/26283	28,575	72,000	18,923	15,875	19,000	4,10
26112/26283S	28,575	72,000	18,923	15,875	19,000	4,10
41125/41286	28,575	72,626	24,257	17,462	24,608	4,10
41126/41286	28,575	72,626	24,257	17,462	24,608	4,10
3192/3120	28,575	72,626	29,997	23,812	30,162	10,20
3198/3120	28,575	72,626	29,997	23,812	30,162	10,20
3198/3130	28,575	72,626	29,997	23,812	30,162	10,20

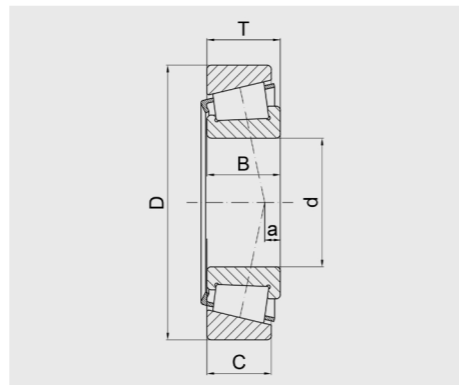
Basic makes

-

Note : In the following tables dimensions for inch series are given in mm

Weight (kg)	Basic load ratings (kN)		Limiting speed (rpm)		Bearing No.
	dyn. C	stat. Co	grease	oil	
0,12	27,8	32,9	7500	10000	L44643/10
0,11	27,8	32,9	7700	11000	L44642/10
0,14	27	29,6	7500	10000	07100/07204
0,24	42	45,3	6700	8900	1986/1922
0,23	44,8	50,2	6700	9000	M84548/10
0,23	44,9	52,9	7200	9600	1780/1729
0,32	53,8	63,3	6800	9100	M84249/10
0,27	42,6	50,1	6700	9000	15578/15523
0,29	46,8	53,9	6100	8200	15101/15243
0,29	46,8	53,9	6100	8200	15100/15245
0,3	46,8	53,9	6100	8200	15101/15244
0,29	46,8	53,9	6000	8000	15101/15245
0,29	46,8	53,9	6100	8200	15102/15245
0,32	46,8	53,9	6000	8000	15101/15250
0,36	55,7	71,7	6100	8100	M86643/10
0,36	50,6	55,8	5700	7600	23100/23256
0,44	71	81,7	6200	8200	2687/2631
0,43	59,1	70,2	6200	8200	02473/02420
0,43	59,6	77,4	6200	8200	M88036/11
0,59	71,1	94,2	5500	7300	HM88630/10
0,64	87,7	102	5100	6800	3189/3120
0,29	46,8	53,9	6700	8900	15103/15245
0,38	71	81,7	6500	8500	2682/2630
0,43	71	81,7	6200	8200	2682/2631
0,24	44,8	50,2	6700	8900	1987/1932
0,11	27,8	32,9	7400	9900	L44649/10
0,25	42,6	50,1	6700	8900	15580/15523
0,28	46,8	53,9	6100	8200	15106/15245
0,42	71	81,7	6200	8200	2688/2631
0,21	42,6	50,1	6700	8900	J15585/20
0,21	44,8	50,2	6700	8900	1985/1930
0,19	42,6	50,1	6700	8900	15590/15520
0,17	44,8	50,2	6700	9000	1988/1922
0,22	44,8	50,2	6700	8900	1985/1932
0,22	44,8	50,2	6700	8900	1988/1932
0,25	42,6	50,1	6700	8900	15590/15523
0,25	44,8	50,2	6700	8900	1985/1931
0,27	46,8	53,9	6000	8000	15112/15245
0,27	46,8	53,9	6100	8200	15113/15245
0,34	55,7	71,7	6000	8000	M86647/10
0,41	71	81,7	6200	8200	2689/2631
0,4	59,1	70,2	5600	7500	02474/02420
0,41	62,6	73,3	5600	7500	2474/2420
0,47	77,5	94,4	5700	7600	2578/2523
0,38	54,4	60,1	6500	8500	26112/26283
0,38	54,4	60,1	6500	8500	26112/26283S
0,46	64,6	64,1	5800	7700	41125/41286
0,46	64,6	64,1	5800	7700	41126/41286
0,61	87,7	102	3700	5000	3192/3120
0,61	87,7	102	5400	7100	3198/3120
0,62	87,7	102	5400	7100	3198/3130

1.2 TAPERED ROLLER BEARINGS - INCH



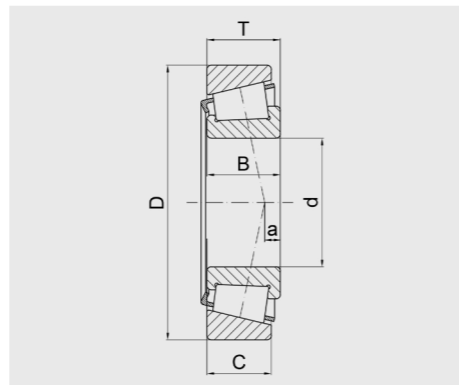
Bearing No.	Dimensions					
	d	D	B	T	C	a
02872/02820	28,575	73,025	22,225	17,462	22,225	3,80
43112/43312	28,575	79,375	24,074	17,462	25,400	2,00
L45449/10	29,000	50,292	14,732	10,668	14,224	3,30
2690/2631	29,367	66,421	25,433	19,050	23,812	9,40
17118/17244	29,987	62,000	16,566	14,288	16,002	3,60
15117/15245	29,987	62,000	20,638	14,288	19,050	5,80
14117A/14276	30,000	69,012	19,583	15,875	19,845	4,30
JHM88540/13	30,000	72,000	27,783	23,020	29,370	5,60
15116/15245	30,112	62,000	20,638	14,288	19,050	5,80
17119/17244	30,162	62,000	16,566	14,288	16,002	3,60
M86649/10	30,162	64,292	21,433	16,670	21,433	3,30
M88043/10	30,162	68,262	22,225	17,462	22,225	2,80
3187/3120	30,162	72,626	29,997	23,812	30,162	10,20
2558/2523	30,163	69,850	25,357	19,050	23,812	8,60
15118/15245	30,213	62,000	20,638	14,288	19,050	5,80
15119/15245	30,213	62,000	20,638	14,288	19,050	5,80
15120/15245	30,213	62,000	20,638	14,288	19,050	5,80
14116/14274	30,226	69,012	19,583	15,875	19,845	4,30
14116/14276	30,226	69,012	19,583	15,875	19,845	4,30
14116/14283	30,226	72,085	19,583	18,415	22,385	4,30
M86648A/10	30,955	64,292	21,433	16,670	21,433	3,30
08125/08231	31,750	58,738	15,080	10,716	14,684	1,30
LM67048/10	31,750	59,131	16,764	11,811	15,875	3,00
15123/15245	31,750	62,000	19,050	14,288	18,161	4,80
15125/15245	31,750	62,000	20,638	14,288	19,050	5,80
15126/15245	31,750	62,000	20,638	14,288	19,050	5,80
2580/2520	31,750	66,421	25,357	20,638	25,400	8,60
M88046/10	31,750	68,262	22,225	17,462	22,225	2,80
02475/02420	31,750	68,262	22,225	17,462	22,225	5,10
02476/02420	31,750	68,262	22,225	17,462	22,225	5,10
23491/23420	31,750	68,262	26,988	22,225	26,988	8,60
14124/14276	31,750	69,012	19,583	15,875	19,845	4,30
14125A/14276	31,750	69,012	19,583	15,875	19,845	4,30
2580/2523	31,750	69,850	25,357	19,050	23,812	8,60
2580/2523S	31,750	69,850	25,357	19,050	23,812	8,60
2582/2523	31,750	69,850	25,357	19,050	23,812	8,60
3188/3120	31,750	72,626	29,997	23,812	30,162	10,20
3188S/3120	31,750	72,626	29,997	23,812	30,162	10,20
3193/3120	31,750	72,626	29,997	23,812	30,162	10,20
02875/02820	31,750	73,025	22,225	17,462	22,225	3,80
02876/02820	31,750	73,025	22,225	17,462	22,225	3,80
2879/2820	31,750	73,025	23,812	17,462	22,225	5,60
HM88542/10	31,750	73,025	27,783	23,020	29,370	5,60
HM88542/11	31,750	73,025	27,783	23,020	29,370	5,60
HM88542/12	31,750	73,812	27,783	23,020	29,370	5,60
HM89440/10	31,750	76,200	28,575	23,020	29,370	5,60
43125/43312	31,750	79,375	24,074	17,462	25,400	2,00
3476/3420	31,750	79,375	29,771	23,812	29,370	8,60
2585/2520	33,338	66,421	25,357	20,638	25,400	8,60
M88048/10	33,338	68,262	22,225	17,462	22,225	2,80



Note : In the following tables dimensions for inch series are given in mm

Weight (kg)	Basic load ratings (kN)		Limiting speed (rpm)		Bearing No.
	dyn. C	stat. Co	grease	oil	
1,04	60,8	74,9	5300	7000	02872/02820
0,6	71,9	76,2	4400	5800	43112/43312
0,11	27,7	36,2	7200	9600	L45449/10
0,4	71	81,7	6200	8200	2690/2631
0,22	40	44,1	6300	8400	17118/17244
0,26	46,8	53,9	6100	8200	15117/15245
0,36	50,6	61,7	5600	7400	14117A/14276
0,61	80,6	111	5400	7100	JHM88540/13
0,26	46,8	53,9	6100	8200	15116/15245
0,23	40	44,1	6300	8400	17119/17244
0,33	55,7	71,7	6000	8000	M86649/10
0,41	59,6	77,4	5600	7500	M88043/10
0,59	87,7	102	5500	7300	3187/3120
0,46	77,5	94,4	5700	7600	2558/2523
0,26	46,8	53,9	6000	8000	15118/15245
0,26	46,8	53,9	6100	8200	15119/15245
0,26	46,8	53,9	6100	8200	15120/15245
0,35	50,6	61,7	5600	7400	14116/14274
0,36	50,6	61,7	5600	7400	14116/14276
0,44	50,6	61,7	5600	7400	14116/14283
0,32	55,7	71,7	6800	9100	M86648A/10
0,16	29,3	35	8000	11000	08125/08231
0,17	36,5	44,6	6700	9000	LM67048/10
0,23	46,8	53,9	6000	8000	15123/15245
0,24	46,8	53,9	6100	8200	15125/15245
0,25	46,8	53,9	6100	8200	15126/15245
0,39	77,5	94,4	5600	7500	2580/2520
0,4	59,6	77,4	5000	6700	M88046/10
0,37	59,1	70,2	5800	7700	02475/02420
0,38	59,1	70,2	5800	7700	02476/02420
0,49	74,7	91	5100	6800	23491/23420
0,35	50,6	61,7	5600	7400	14124/14276
0,34	50,6	61,7	5600	7400	14125A/14276
0,44	77,5	94,4	5700	7600	2580/2523
0,44	77,5	94,4	5700	7600	2580/2523S
0,44	77,5	94,4	5700	7600	2582/2523
0,58	87,7	102	5500	7300	3188/3120
0,59	87,7	102	5500	7300	3188S/3120
0,57	87,7	102	5500	7300	3193/3120
0,44	60,8	74,9	5700	7600	02875/02820
0,45	60,8	74,9	5300	5700	02876/02820
0,46	67,7	83,8	5200	7000	2879/2820
0,61	80,6	111	5400	7100	HM88542/10
0,62	80,6	111	5400	7100	HM88542/11
0,63	80,6	111	5400	7100	HM88542/12
0,68	86,2	119	5100	6800	HM89440/10
0,57	71,9	76,2	5000	6700	43125/43312
0,74	96,9	119	4900	6600	3476/3420
0,39	77,5	94,4	4600	6200	2585/2520
0,37	59,6	77,4	5800	7700	M88048/10

1.2 TAPERED ROLLER BEARINGS - INCH



1.32-1.4 inch Z&S

Bearing No.	Dimensions					
	d	D	B	T	C	a
14130/14274	33,338	69,012	19,583	15,875	19,845	4,30
14130/14276	33,338	69,012	19,583	15,875	19,845	4,30
14131/14276	33,338	69,012	19,583	15,875	19,845	4,30
2581/2523	33,338	69,850	25,357	19,050	23,812	8,60
2585/2523	33,338	69,850	25,357	19,050	23,812	8,60
2585/2523S	33,338	69,850	25,357	19,050	23,812	8,60
26131/26283	33,338	72,000	18,923	15,875	19,000	4,20
3196/3120	33,338	72,626	29,997	23,812	30,162	10,20
HM88547/10	33,338	73,025	27,783	23,020	29,370	5,60
2785/2720	33,338	76,200	25,654	19,050	23,812	8,10
2790/2720	33,338	76,200	25,654	19,050	23,812	8,10
31590/31520	33,338	76,200	28,575	23,812	29,370	7,60
HM89443/10	33,338	76,200	28,575	23,020	29,370	5,60
HM89444/10	33,338	76,200	28,575	23,020	29,370	5,60
43131/43312	33,338	79,375	24,074	17,462	25,400	2,00
43132/43312	33,338	79,375	24,074	17,462	25,400	2,00
44131/44348	33,338	88,500	23,698	17,462	25,400	2,30
LM48548/10	34,925	65,088	18,288	13,970	18,034	3,60
LM48548A/10	34,925	65,088	18,288	13,970	18,034	3,70
M38549/10	34,925	66,675	20,638	16,670	20,638	5,60
14585/14525	34,925	68,262	20,638	15,875	20,638	5,80
14137A/14276	34,925	69,012	19,583	15,875	19,845	4,30
14138A/14276	34,925	69,012	19,583	15,875	19,845	4,30
HM88649/10	34,925	72,233	25,400	19,842	25,400	4,60
16137/16284	34,925	72,238	20,638	15,875	20,638	4,10
02877/02820	34,925	73,025	22,225	17,462	22,225	3,80
02878/02820	34,925	73,025	22,225	17,462	22,225	3,80
2878/2820	34,925	73,025	23,812	17,462	22,225	5,60
25877/25820	34,925	73,025	24,608	19,050	23,812	8,10
25877/25821	34,925	73,025	24,608	19,050	23,812	8,10
25878/25821	34,925	73,025	24,608	19,050	23,812	8,10
HM88649A/13	34,925	73,025	25,400	21,443	27,000	4,60
2793/2735X	34,925	73,025	25,654	19,050	23,812	8,10
2793/2720	34,925	76,200	25,654	19,050	23,812	8,10
2786/2720	34,925	76,200	25,654	19,050	23,812	8,10
2793/2729	34,925	76,200	25,654	19,050	23,812	8,10
2796/2720	34,925	76,200	25,654	19,050	23,812	8,10
31593/31520	34,925	76,200	28,575	23,812	29,370	7,60
31594/31520	34,925	76,200	28,575	23,812	29,370	7,60
31594/31521	34,925	76,200	28,575	23,812	29,370	7,60
HM89446/10	34,925	76,200	28,575	23,020	29,370	5,60
36137/36300	34,925	76,200	29,845	23,812	29,370	9,10
3478/3420	34,925	79,375	29,771	23,812	29,370	8,60
28137/28317	34,925	80,035	20,940	15,875	21,433	4,80
3379/3320	34,925	80,167	30,391	23,812	29,370	10,90
3872/3820	34,925	85,725	30,162	23,812	30,162	8,10
449/432	34,925	95,250	29,900	22,225	27,782	9,10
14139/14276	34,976	69,012	19,583	15,875	19,845	4,30
19138/19283	34,976	72,000	16,520	14,288	17,018	1,50
L68149/11	34,988	59,974	16,764	11,938	15,875	2,50

Basic makes

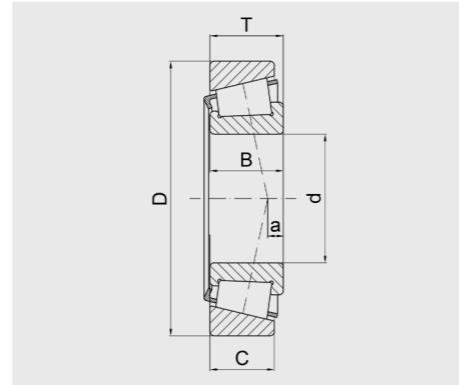
-

✓

Note : In the following tables dimensions for inch series are given in mm

Weight (kg)	Basic load ratings (kN)		Limiting speed (rpm)		Bearing No.
	dyn. C	stat. Co	grease	oil	
0,338	48,2	61,3	5600	7500	14130/14274
0,33	50,6	61,7	5600	7500	14130/14276
0,34	50,6	61,7	5600	7400	14131/14276
0,43	77,5	94,4	6200	8200	2581/2523
0,42	77,5	94,4	5700	7600	2585/2523
0,43	77,5	94,4	6200	8200	2585/2523S
0,34	54,4	60,1	5600	7400	26131/26283
0,55	87,7	102	5500	7300	3196/3120
0,59	80,6	111	5400	7100	HM88547/10
0,55	80,4	102	5100	6800	2785/2720
0,55	80,4	102	5100	6800	2790/2720
0,65	87,7	107	4900	6600	31590/31520
0,66	86,2	119	4800	6300	HM89443/10
0,66	86,2	119	5100	6800	HM89444/10
0,55	71,9	76,2	4600	6200	43131/43312
0,56	71,9	76,2	4800	6400	43132/43312
0,76	77,9	88,6	3500	4700	44131/44348
0,26	50,5	63,1	5700	7600	LM48548/10
0,25	50,5	63,1	5700	7600	LM48548A/10
0,32	57,8	72,8	5600	7500	M38549/10
0,32	54,8	68,1	5600	7500	14585/14525
0,32	50,6	61,7	5600	7500	14137A/14276
0,32	50,6	61,7	5600	7500	14138A/14276
0,5	71,1	94,2	5400	7200	HM88649/10
0,38	52,4	65,8	5300	7000	16137/16284
0,41	60,8	74,9	5300	7000	02877/02820
0,42	60,8	74,9	5300	7000	02878/02820
0,43	67,7	83,8	5300	7000	2878/2820
0,46	78,8	97,4	5300	7000	25877/25820
0,46	78,8	97,4	5300	7000	25877/25821
0,46	78,8	97,4	5300	7100	25878/25821
0,52	71,1	94,2	5400	7200	HM88649A/13
0,48	80,4	102	5400	7200	2793/2735X
0,53	80,4	102	5100	6800	2793/2720
0,52	80,4	102	5400	7200	2786/2720
0,53	80,4	102	5100	6800	2793/2729
0,53	80,4	102	5100	6800	2796/2720
0,61	87,7	107	5100	6800	31593/31520
0,62	87,7	107	5000	6700	31594/31520
0,63	87,7	107	5100	6800	31594/31521
0,64	86,2	119	5100	6800	HM89446/10
0,61	92,5	111	4800	6400	36137/36300
0,7	96,9	119	5000	6700	3478/3420
0,5	58,8	68,9	5400	7200	28137/28317
0,71	106	129	4800	6400	3379/3320
0,9	115	148	4500	6000	3872/3820
1,07	118	144	3200	4300	449/432
0,32	50,6	61,7	5600	7400	14139/14276
0,32	46,9	57,8	5600	7400	19138/19283
0,18	35,5	49,3	6000	8000	L68149/11

1.2 TAPERED ROLLER BEARINGS - INCH



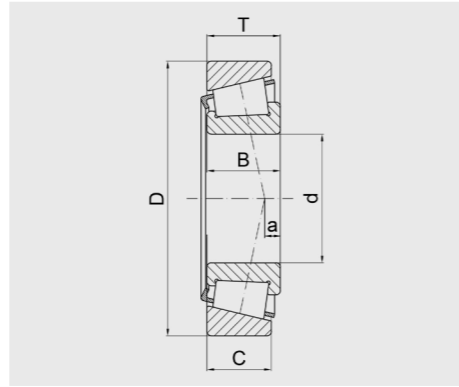
Bearing No.	Dimensions					
	d	D	B	T	C	a
LM78349/10A	34,988	61,973	17,000	13,600	16,700	2,50
LM78349/10C	34,988	61,973	17,000	15,000	18,000	2,50
LM78349A/10A	34,988	61,973	17,000	13,600	16,700	2,50
LM78349A/10C	34,988	61,973	17,000	15,000	18,000	2,50
JS3549A/10	35,000	70,000	23,500	19,000	24,000	3,60
23691/23620	35,000	73,025	26,975	22,225	26,988	8,10
26883/26822	35,000	79,375	25,400	19,050	23,812	7,40
339/332	35,000	80,000	22,403	17,826	21,000	6,20
LM48545/10	35,128	65,088	18,288	13,970	18,034	3,60
HM88648/10	35,717	72,233	25,400	19,842	25,400	4,60
HM88648/11AS	35,717	72,626	25,400	19,842	25,400	4,60
25880/25821	36,487	73,025	24,608	19,050	23,812	8,10
2780/2720	36,487	76,200	25,654	19,050	23,812	8,10
2794/2720	36,487	76,200	25,654	19,050	23,812	8,10
HM89449/10	36,512	76,200	28,575	23,020	29,370	5,60
31597/31520	36,512	76,200	28,575	23,812	29,370	7,60
HM89448/10	36,512	76,200	28,575	23,020	29,370	5,60
HM89449/11	36,512	76,200	28,575	23,020	29,370	5,60
26877/26822	36,512	79,375	25,400	19,050	23,812	7,40
HM89249/10	36,512	79,375	28,829	22,664	29,370	5,80
3479/3420	36,512	79,375	29,771	23,812	29,370	8,60
25570/25520	36,512	82,931	25,400	19,050	23,812	6,40
3878/3820	36,512	85,725	30,162	23,812	30,162	8,10
44143/44348	36,512	88,500	23,698	17,462	25,400	2,30
JL69349/10	38,000	63,000	17,000	13,500	17,000	2,30
JL69349A/10	38,000	63,000	17,000	13,500	17,000	2,30
JL69345/10	38,000	63,000	19,000	13,500	17,000	2,30
13889/13830	38,100	63,500	11,908	9,525	12,700	0,80
13889/13836	38,100	65,088	11,908	9,525	12,700	0,80
LM29748/10	38,100	65,088	18,288	13,970	18,034	4,10
LM29749/10	38,100	65,088	18,288	13,970	18,034	4,10
LM29749/11	38,100	65,088	18,288	15,748	19,812	4,10
19150/19268	38,100	68,262	16,520	11,908	15,875	1,50
13685/13621	38,100	69,012	19,050	15,083	19,050	3,00
13687/13620	38,100	69,012	19,050	15,083	19,050	3,00
13687/13621	38,100	69,012	19,050	15,083	19,050	3,00
19150/19281	38,100	71,438	16,520	11,908	15,875	1,50
19150/19283	38,100	72,000	16,520	14,288	17,018	1,50
16150/16282	38,100	72,000	20,638	14,237	19,000	4,10
16150/16284	38,100	72,238	20,638	15,875	20,638	4,10
28150/28300	38,100	76,200	20,940	15,507	20,638	4,80
2776/2720	38,100	76,200	25,654	19,050	23,812	8,10
2777/2720	38,100	76,200	25,654	19,050	23,812	8,10
2788/2720	38,100	76,200	25,654	19,050	23,812	8,10
2788A/2720	38,100	76,200	25,654	19,050	23,812	8,10
26878/26822	38,100	79,375	25,400	19,050	23,812	7,40
3490/3420	38,100	79,375	29,771	23,812	29,370	8,60
28150/28315	38,100	80,000	20,940	15,875	21,006	4,80
27880/27820	38,100	80,035	23,698	18,512	24,608	2,50
27881/27820	38,100	80,035	23,698	18,512	24,608	2,50



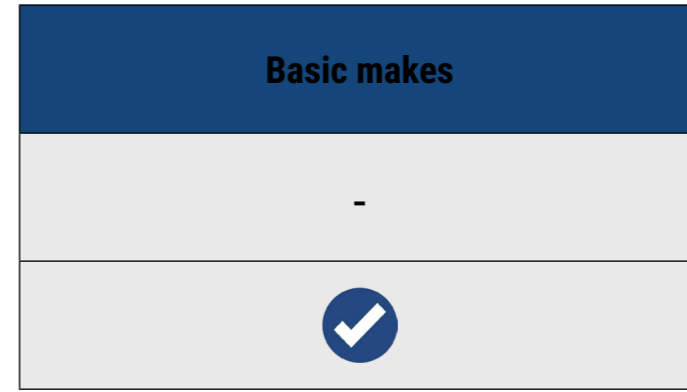
Note : In the following tables dimensions for inch series are given in mm

Weight (kg)	Basic load ratings (kN)		Limiting speed (rpm)		Bearing No.
	dyn. C	stat. Co	grease	oil	
0,19	39,4	52,4	5900	7900	LM78349/10A
0,2	39,4	52,4	5900	7900	LM78349/10C
0,2	39,4	52,4	5900	7900	LM78349A/10A
0,22	39,4	52,4	5900	7900	LM78349A/10C
0,43	66,6	84,9	4700	6300	JS3549A/10
0,51	82,8	102	5000	6700	23691/23620
0,6	84,3	110	4400	5800	26883/26822
0,53	73,6	83,4	4700	6300	339/332
0,25	50,5	63,1	5700	7600	LM48545/10
0,48	71,1	94,2	5400	7200	HM88648/10
0,48	71,1	94,2	5400	7200	HM88648/11AS
0,45	78,8	97,4	5300	7000	25880/25821
0,52	80,4	102	5100	6800	2780/2720
0,51	80,4	102	5000	6700	2794/2720
0,62	86,2	119	4800	6300	HM89449/10
0,59	87,7	107	5000	6700	31597/31520
0,62	86,2	119	4800	6300	HM89448/10
0,63	86,2	119	5100	6800	HM89449/11
0,59	84,3	110	5000	6700	26877/26822
1,02	98,1	121	5000	6600	HM89249/10
0,68	96,9	119	4900	6600	3479/3420
0,65	83,8	111	4900	6600	25570/25520
0,89	115	148	2900	5600	3878/3820
0,72	77,9	88,6	4000	5300	44143/44348
0,19	39,8	55	5700	7600	JL69349/10
0,21	39,8	55	6700	8900	JL69349A/10
0,2	39,8	55	5900	7900	JL69345/10
0,14	25,1	33	5500	7300	13889/13830
0,15	25,1	33	5500	7300	13889/13836
0,22	45	60,3	5900	7900	LM29748/10
0,22	45	60,3	5900	7900	LM29749/10
0,24	45	60,3	6100	8200	LM29749/11
0,24	46,9	57,8	6100	8200	19150/19268
0,28	52,5	67,9	6100	8200	13685/13621
0,29	52,5	67,9	5300	7100	13687/13620
0,29	52,5	67,9	5300	7100	13687/13621
0,27	46,9	57,8	5400	7200	19150/19281
0,3	46,9	57,8	5300	7000	19150/19283
0,33	52,4	65,8	5300	7000	16150/16282
0,35	52,4	65,8	5300	7000	16150/16284
0,4	58,8	68,9	5000	6700	28150/28300
0,49	80,4	102	5100	6800	2776/2720
0,48	80,4	102	5100	6800	2777/2720
0,49	80,4	102	5000	6700	2788/2720
0,5	80,4	102	5100	6800	2788A/2720
0,57	84,3	110	4800	6400	26878/26822
0,65	96,9	119	4900	6600	3490/3420
0,46	58,8	68,9	5000	6700	28150/28315
0,56	72,2	91,1	4800	6400	27880/27820
0,55	72,2	91,1	4800	6400	27881/27820

1.2 TAPERED ROLLER BEARINGS - INCH



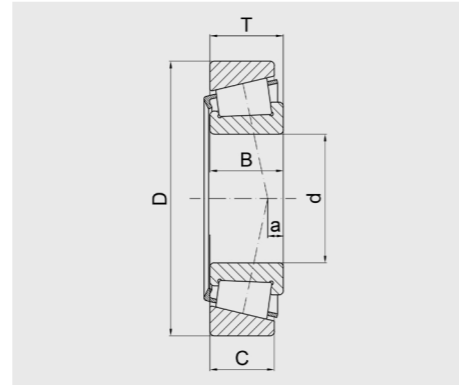
Bearing No.	Dimensions					
	d	D	B	T	C	a
3381/3320	38,100	80,167	30,391	23,812	29,370	10,90
HM801346/10	38,100	82,550	28,575	23,020	29,370	4,80
HM801346X/10	38,100	82,550	28,575	23,020	29,370	4,80
25572/25520	38,100	82,931	25,400	19,050	23,812	6,40
3875/3820	38,100	85,725	30,162	23,812	30,162	8,10
3876/3820	38,100	85,725	30,162	23,812	30,162	8,10
3580/3525	38,100	87,312	30,886	23,812	30,162	10,20
44150/44348	38,100	88,500	23,698	17,462	25,400	2,30
418/414	38,100	88,500	29,083	22,225	26,988	9,70
4375/4335	38,100	90,488	40,386	33,338	39,688	15,00
53150/53375	38,100	95,250	28,300	20,638	30,958	0,30
33880/33821	38,100	95,250	28,575	22,225	27,783	7,60
440/432	38,100	95,250	29,900	22,225	27,783	9,10
525/522	38,100	101,600	36,068	26,988	34,925	12,70
J16154/85	39,000	72,014	20,638	16,637	21,400	4,10
18587/18520	39,688	73,025	17,462	12,700	16,667	2,80
2789/2720	39,688	76,200	25,654	19,050	23,812	8,10
3382/3321	39,688	77,534	30,391	23,812	29,370	10,90
26880/26822	39,688	79,375	25,400	19,050	23,812	7,40
26881/26822	39,688	79,375	25,400	19,050	23,812	7,40
3382/3339	39,688	80,035	30,391	23,812	29,370	10,90
3386/3320	39,688	80,167	30,391	23,812	29,370	10,90
3382/3320	39,688	80,167	30,391	23,812	29,370	10,90
3382/3331	39,688	80,167	30,391	23,812	29,370	10,90
3382/3328	39,688	84,138	30,391	23,812	29,370	10,90
44158/44348	39,688	88,500	23,698	17,462	25,400	2,30
28158/28300	40,000	76,200	20,940	15,507	20,638	4,80
344/332	40,000	80,000	22,403	17,826	21,000	6,40
344A/332	40,000	80,000	22,403	17,826	21,000	6,20
350A/354A	40,000	85,000	21,692	17,462	20,638	4,80
JF4049/10	40,000	85,000	32,500	28,000	33,040	10,20
3879/3820	40,000	85,725	30,162	23,812	30,162	8,10
420/414	40,000	88,500	29,083	22,225	26,988	9,70
543/532X	40,000	107,950	36,957	28,575	36,512	12,20
HM801349/10	40,483	82,550	28,575	23,020	29,370	4,80
LM300849/11	40,988	67,975	18,000	13,500	17,500	3,60
18590/18520	41,275	73,025	17,462	12,700	16,667	2,80
LM501349/10	41,275	73,431	19,812	14,732	19,558	3,30
LM501349/14	41,275	73,431	19,812	16,604	21,430	3,30
11162/11300	41,275	76,200	17,384	14,288	18,009	0,80
24780/24720	41,275	76,200	23,020	17,462	22,225	4,80
26882/26823	41,275	76,200	25,400	20,638	25,400	7,40
26882/26822	41,275	79,375	25,400	19,050	23,812	7,40
26882/26822A	41,275	79,375	25,400	19,050	23,812	7,40
26885/26822	41,275	79,375	25,400	19,050	23,812	7,40
11162/11315	41,275	80,000	17,384	14,288	18,009	0,80
336/332	41,275	80,000	22,403	17,826	21,000	6,20
342/332	41,275	80,000	22,403	17,826	21,000	6,20
26882/26824	41,275	80,000	25,400	19,050	23,812	7,40
26882/26820	41,275	80,167	25,400	19,050	25,400	7,40



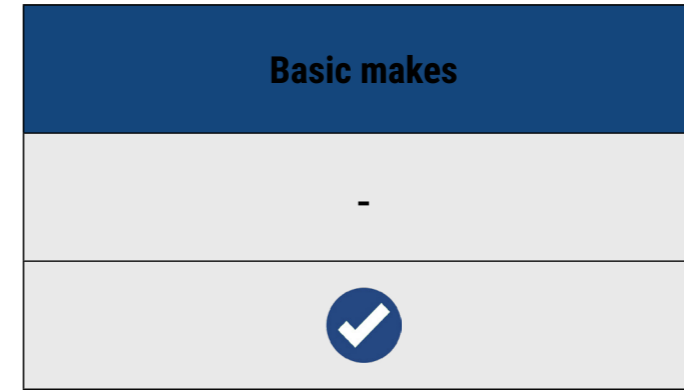
Note : In the following tables dimensions for inch series are given in mm

Weight (kg)	Basic load ratings (kN)		Limiting speed (rpm)		Bearing No.
	dyn. C	stat. Co	grease	oil	
0,67	106	129	4000	5300	3381/3320
0,76	95,1	130	4700	6000	HM801346/10
0,53	95,1	130	4500	6000	HM801346X/10
0,64	83,8	111	4500	6000	25572/25520
0,87	115	148	4500	6000	3875/3820
0,87	115	148	4500	6000	3876/3820
0,87	105	134	4400	5900	3580/3525
0,71	77,9	88,6	4000	5300	44150/44348
0,82	107	124	4800	6300	418/414
1,3	155	204	3200	4300	4375/4335
1,04	92,8	104	5300	7000	53150/53375
1,05	120	161	3700	4900	33880/33821
1,03	118	144	2600	3600	440/432
1,47	152	192	3000	4000	525/522
0,35	52,4	65,8	5300	7000	J16154/85
0,29	47	58,1	5300	7100	18587/18520
0,47	80,4	102	5000	6700	2789/2720
0,61	106	129	4800	6400	3382/3321
0,55	84,3	110	4800	6400	26880/26822
0,54	84,3	110	4800	6400	26881/26822
0,66	106	129	4800	6400	3382/3339
0,65	106	129	4800	6400	3386/3320
0,65	106	129	4800	6400	3382/3320
0,66	106	129	4800	6400	3382/3331
0,75	106	129	2700	3500	3382/3328
0,68	77,9	88,6	4000	5300	44158/44348
0,38	58,8	68,9	5000	6700	28158/28300
0,47	73,6	83,4	4700	6300	344/332
0,47	73,6	83,4	4700	6300	344A/332
0,55	75,8	89,2	4400	5800	350A/354A
0,9	127	160	4500	6000	JF4049/10
0,84	115	148	3200	4300	3879/3820
0,79	107,5	124	4600	6100	420/414
1,74	159	206	3600	4800	543/532X
0,73	95,1	130	4700	6200	HM801349/10
0,23	46,1	63,5	5300	7000	LM300849/11
0,27	47	58,1	5000	6600	18590/18520
0,32	58,4	74,2	5000	6600	LM501349/10
0,34	58,4	74,2	5000	6600	LM501349/14
0,33	44,5	55,1	5000	6700	11162/11300
0,41	69,9	89,2	5000	6700	24780/24720
0,48	84,3	110	4800	6400	26882/26823
0,52	84,3	110	4800	6400	26882/26822
0,52	84,3	110	4800	6400	26882/26822A
0,53	84,3	110	4800	6400	26885/26822
0,38	44,5	55,1	4900	6500	11162/11315
0,46	73,6	83,4	4700	6300	336/332
0,45	73,6	83,4	4700	6300	342/332
0,53	84,3	110	4800	6400	26882/26824
0,55	75,8	89,2	4800	6400	26882/26820

1.2 TAPERED ROLLER BEARINGS - INCH



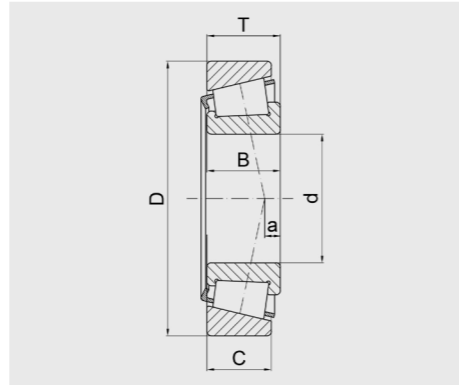
Bearing No.	Dimensions					
	d	D	B	T	C	a
M802048/11	41,275	82,550	25,654	20,193	26,543	3,00
3877/3820	41,275	85,725	30,162	23,812	30,162	8,10
3877/3821	41,275	85,725	30,162	23,812	30,162	8,10
3880/3820	41,275	85,725	30,162	23,812	30,162	8,10
3576/3525	41,275	87,312	30,886	23,812	30,162	10,20
3577/3525	41,275	87,312	30,886	23,812	30,162	10,20
3585/3525	41,275	87,312	30,886	23,812	30,162	10,20
44162/44348	41,275	88,500	23,698	17,462	25,400	2,30
419/414	41,275	88,500	29,083	22,225	26,988	9,70
365A/362A	41,275	88,900	22,225	16,513	20,638	4,30
HM803145/10	41,275	88,900	29,370	23,020	30,162	4,30
HM803146/10	41,275	88,900	29,370	23,020	30,162	4,30
HM803146/11	41,275	88,900	29,370	23,020	30,162	4,30
4388/4335	41,275	90,488	40,386	33,338	39,688	15,00
M903345/10	41,275	92,075	23,812	16,670	26,195	3,60
46162/46368	41,275	93,662	31,750	26,195	31,750	7,90
53162/53375	41,275	95,250	28,300	20,638	30,958	0,30
HM903244/10	41,275	95,250	28,300	22,225	30,958	0,50
HM903245/10	41,275	95,250	28,575	22,225	30,958	0,50
HM804840/10	41,275	95,250	29,370	23,020	30,162	3,80
HM807035/10	41,275	104,775	36,512	28,575	36,513	7,40
HM807035/11	41,275	104,775	36,512	28,575	36,513	7,40
4395/4335	42,070	90,488	40,386	33,338	39,688	15,00
12168/12303	42,862	76,992	17,145	11,908	17,462	0,00
22168/22325	42,862	82,550	19,837	15,080	19,842	2,50
22780/22720	42,862	82,550	26,988	20,638	26,195	6,40
25578/25520	42,862	82,931	25,400	19,050	23,812	6,40
3579/3525	42,862	87,312	30,886	23,812	30,162	10,20
26884/26822	42,875	79,375	25,400	19,050	23,812	7,40
26886/26822	42,875	79,375	25,400	19,050	23,812	7,40
342S/332	42,875	80,000	22,403	17,826	21,000	6,40
25577/25520	42,875	82,931	25,400	19,050	23,812	6,40
25577/25522	42,875	83,058	25,400	19,114	23,876	6,40
LL103049/10	44,450	71,438	12,700	9,525	12,700	3,80
L102849/10	44,450	73,025	18,258	15,083	18,258	1,30
12175/12303	44,450	76,992	17,145	11,908	17,462	0,00
18685/18620	44,450	79,375	17,462	13,495	17,462	2,00
13175/13318	44,450	80,962	17,462	14,288	19,050	0,80
35176/35326	44,450	82,931	23,012	17,462	22,225	6,10
25580/25520	44,450	82,931	25,400	19,050	23,812	6,40
25581/25520	44,450	82,931	25,400	19,050	23,812	6,40
25582/25520	44,450	82,931	25,400	19,050	23,812	6,40
25580/25522	44,450	83,058	25,400	19,114	23,876	6,40
3578/3520	44,450	84,138	30,886	23,812	30,162	10,20
355/354A	44,450	85,000	21,692	17,462	20,638	4,80
355A/354A	44,450	85,000	21,692	17,462	20,638	4,80
3578/3525	44,450	87,312	30,886	23,812	30,162	10,20
3578/3526	44,450	87,312	30,886	23,812	30,162	10,20
HM803149/10	44,450	88,900	29,370	23,020	30,162	4,30
3782/3720	44,450	93,264	30,302	23,812	30,162	8,10



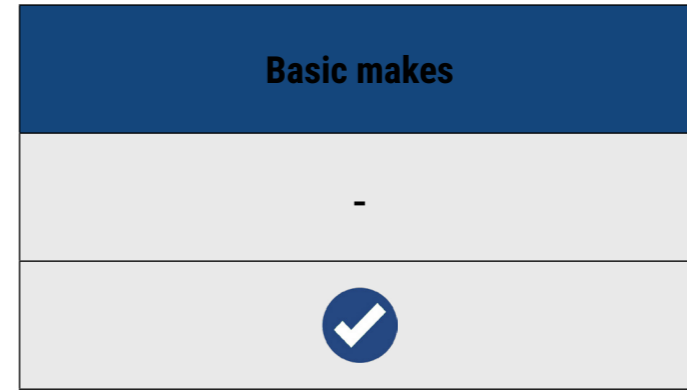
Note : In the following tables dimensions for inch series are given in mm

Weight (kg)	Basic load ratings (kN)		Limiting speed (rpm)		Bearing No.
	dyn. C	stat. Co	grease	oil	
0,62	84,9	112	4600	6100	M802048/11
0,82	115	148	4500	6000	3877/3820
0,83	115	148	3200	5000	3877/3821
0,82	115	148	4500	6000	3880/3820
0,82	105	134	4400	5900	3576/3525
0,82	105	134	4500	6000	3577/3525
0,82	105	134	4500	6000	3585/3525
0,67	77,9	88,6	4000	5300	44162/44348
0,77	107	124	4800	6300	419/414
0,62	79,5	95,8	4800	6300	365A/362A
0,9	105	144	4300	5800	HM803145/10
0,89	105	144	4300	5600	HM803146/10
0,9	105	144	4300	5800	HM803146/11
1,23	155	204	4300	5800	4388/4335
0,79	79,2	92,5	4600	5900	M903345/10
1,07	120	158	4100	5500	46162/46368
0,99	92,8	104	3800	5000	53162/53375
1,05	107	132	3700	4900	HM903244/10
1,05	107	132	3700	4900	HM903245/10
1,06	115	157	4000	5300	HM804840/10
1,69	159	223	2400	3400	HM807035/10
1,7	159	223	2400	3400	HM807035/11
1,21	155	204	4300	5800	4395/4335
0,31	45,9	58,1	4800	6300	12168/12303
0,44	60,5	73,2	4300	7600	22168/22325
0,61	86	115	4600	6100	22780/22720
0,58	83,8	111	4500	6000	25578/25520
0,79	105	134	4400	5900	3579/3525
0,5	84,3	110	4800	6400	26884/26822
0,51	84,3	110	4800	6400	26886/26822
0,43	73,6	83,4	4700	6300	342S/332
0,58	83,8	111	4500	6000	25577/25520
0,58	83,8	111	4100	5500	25577/25522
0,18	33,4	43,6	6000	8000	LL103049/10
0,3	52,8	73,8	4700	6300	L102849/10
0,3	45,9	58,1	4700	6300	12175/12303
0,34	48,2	61,3	4600	6200	18685/18620
0,39	47	61,1	4600	6200	13175/13318
0,49	76,6	89,2	4100	5500	35176/35326
0,55	83,8	111	4500	6000	25580/25520
0,56	83,8	111	4500	6000	25581/25520
0,55	83,8	111	4500	6000	25582/25520
0,56	83,8	111	4500	6000	25580/25522
0,68	105	134	4400	5900	3578/3520
0,5	75,8	89,2	4400	5800	355/354A
0,5	75,8	89,2	4400	5800	355A/354A
0,76	105	134	4500	6000	3578/3525
0,77	105	134	4400	5900	3578/3526
0,84	105	144	4300	5800	HM803149/10
0,95	113	153	4000	5300	3782/3720

1.2 TAPERED ROLLER BEARINGS - INCH



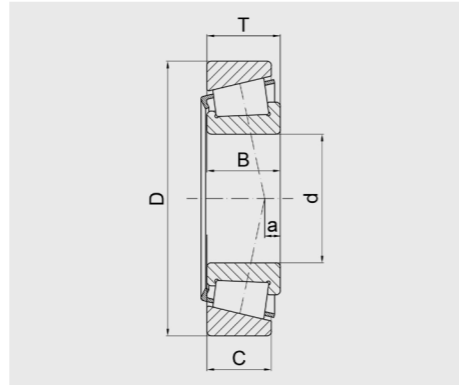
Bearing No.	Dimensions					
	d	D	B	T	C	a
46175/46368	44,450	93,662	31,750	26,195	31,750	7,80
46176/46368	44,450	93,662	31,750	26,195	31,750	7,80
49175/49368	44,450	93,662	31,750	25,400	31,750	9,10
53176/53375	44,450	95,250	28,300	20,638	30,958	0,30
53176/53377	44,450	95,250	28,300	20,638	30,958	0,30
53177/53375	44,450	95,250	28,300	20,638	30,958	0,30
53178/53375	44,450	95,250	28,300	20,638	30,958	0,30
HM903247/10	44,450	95,250	28,300	22,225	30,958	0,50
HM903249A/10	44,450	95,250	28,300	22,225	30,958	0,50
HM903249/10	44,450	95,250	28,575	22,225	30,958	0,50
33885/33821	44,450	95,250	28,575	22,225	27,783	7,60
33885/33822	44,450	95,250	28,575	22,225	27,783	7,60
HM804842/10	44,450	95,250	29,370	23,020	30,162	3,80
HM804843/10	44,450	95,250	29,370	23,020	30,162	3,80
438/432	44,450	95,250	29,900	22,225	27,783	9,10
438/432A	44,450	95,250	29,900	22,225	27,783	9,10
53176/53387	44,450	98,425	28,300	20,638	30,958	0,30
49576/49520	44,450	101,600	31,750	25,400	31,750	7,10
527/522	44,450	101,600	36,068	26,988	34,926	12,70
5356/5335	44,450	103,188	44,475	36,512	43,658	16,10
460/453X	44,450	104,775	29,317	24,605	30,162	7,10
45280/45220	44,450	104,775	30,958	23,812	30,162	8,10
59175/59412	44,450	104,775	36,512	28,575	36,512	9,70
HM807040/10	44,450	104,775	36,512	28,575	36,512	7,40
535/532X	44,450	107,950	36,957	28,575	36,513	12,20
55175C/55437	44,450	111,125	26,909	20,638	30,162	7,60
55176C/55437	44,450	111,125	26,909	20,638	30,162	7,60
535/532A	44,450	111,125	36,957	30,162	38,100	12,20
6277/6220	44,450	127,000	52,388	41,275	50,800	19,60
25584/25520	44,983	82,931	25,400	19,050	23,812	6,40
3776/3720	44,983	93,264	30,302	23,812	30,162	8,10
HM903248/10	44,988	95,250	28,575	22,225	30,958	0,50
HM905843/10	44,988	104,986	31,750	23,368	32,512	1,80
358/354A	45,000	85,000	21,692	17,462	20,638	4,80
367/362A	45,000	88,900	22,225	16,513	20,638	4,30
JW4549/10	45,000	95,000	26,500	20,000	29,000	4,00
3586/3525	45,237	87,312	30,886	23,812	30,162	10,20
LM102949/10	45,242	73,431	19,812	15,748	19,558	4,60
LM603049/11	45,242	77,788	19,842	15,080	19,842	2,30
LM603049/12	45,242	77,788	19,842	16,667	21,430	2,30
LM603049/14	45,242	80,000	19,842	15,080	19,842	2,30
25590/25519	45,618	82,550	25,400	19,050	23,812	6,40
25590/25520	45,618	82,931	25,400	19,050	23,812	6,40
25590/25523	45,618	82,931	25,400	22,225	26,988	6,40
25590/25521	45,618	83,058	25,400	19,050	23,812	6,40
25590/25522	45,618	83,058	25,400	19,114	23,877	6,40
25590/25526	45,618	85,000	25,400	19,050	23,812	6,40
LM503349/10	45,987	74,976	18,000	14,000	18,000	2,00
LM503349A/10	45,987	74,976	18,000	14,000	18,000	2,00
HM204049/10	45,987	90,975	32,000	26,500	32,000	9,70



Note : In the following tables dimensions for inch series are given in mm

Weight (kg)	Basic load ratings (kN)		Limiting speed (rpm)		Bearing No.
	dyn. C	stat. Co	grease	oil	
1,01	120	158	4100	5500	46175/46368
1,01	120	158	4100	5500	46176/46368
1	126	156	3600	4800	49175/49368
0,95	92,8	104	3800	5000	53176/53375
0,94	92,8	104	3800	4300	53176/53377
0,94	92,8	104	3800	5000	53177/53375
0,94	92,8	104	3800	5000	53178/53375
1	107	132	3600	4800	HM903247/10
1	107	132	3700	4900	HM903249A/10
1	107	132	3700	4900	HM903249/10
0,96	120	161	3900	5200	33885/33821
0,98	120	161	4000	5300	33885/33822
1,02	115	157	4000	5300	HM804842/10
1,01	115	157	5000	5500	HM804843/10
0,92	118	144	4300	5600	438/432
0,93	118	144	4300	5600	438/432A
1,03	92,8	104	2700	3600	53176/53387
1,23	123	155	4300	5800	49576/49520
1,35	152	192	3800	5000	527/522
1,86	197	267	3100	4100	5356/5335
1,27	126	166	3500	4700	460/453X
1,33	142	189	3500	4700	45280/45220
1,53	158	202	3200	4200	59175/59412
1,62	159	223	3600	4800	HM807040/10
1,67	159	206	3600	4800	535/532X
1,44	118	161	3200	4200	55175C/55437
1,44	118	161	3200	4200	55176C/55437
1,84	159	206	3000	4000	535/532A
3,54	283	370	3200	4300	6277/6220
0,55	83,8	111	4500	6000	25584/25520
0,94	113	153	4000	5300	3776/3720
0,99	107	132	2700	3600	HM903248/10
1,38	125	171	3200	4300	HM905843/10
0,5	75,8	89,2	4400	5800	358/354A
0,58	79,5	95,8	4100	5500	367/362A
0,91	92,5	114	4000	5300	JW4549/10
0,75	105	134	4400	5900	3586/3525
0,31	56,9	81,8	4800	6400	LM102949/10
0,36	59,6	77,9	4800	6300	LM603049/11
0,37	59,6	77,9	4600	6200	LM603049/12
0,39	59,6	77,9	4600	6200	LM603049/14
0,53	83,8	111	4500	600	25590/25519
0,54	83,8	111	4500	6000	25590/25520
0,58	83,8	111	4500	6000	25590/25523
0,53	83,8	111	4500	6000	25590/25521
0,54	83,8	111	4500	6000	25590/25522
0,57	83,8	111	4500	6000	25590/25526
0,3	52,6	75,4	4800	6300	LM503349/10
0,29	52,6	75,4	4700	6300	LM503349A/10
0,94	133	172	4300	5600	HM204049/10

1.2 TAPERED ROLLER BEARINGS - INCH



Bearing No.	Dimensions					
	d	D	B	T	C	a
18690/18620	46,038	79,375	17,462	13,495	17,462	2,00
13181/13318	46,038	80,962	17,462	14,288	19,050	0,80
25592/25520	46,038	82,931	25,400	19,050	23,812	6,40
18780/18720	46,038	85,000	17,462	19,050	17,462	6,40
359A/354A	46,038	85,000	21,692	17,462	20,638	4,80
359S/354A	46,038	85,000	21,692	17,462	20,638	4,80
2984/2924	46,038	85,000	25,608	20,638	25,400	6,40
359S/352	46,038	90,119	21,692	21,808	23,000	4,80
3777/3720	46,038	93,264	30,302	23,812	30,162	8,10
436/432	46,038	95,250	29,900	22,225	27,783	9,10
369A/362A	47,625	88,900	22,225	16,513	20,638	4,30
369S/362A	47,625	88,900	22,225	16,513	20,638	4,30
M804048/10	47,625	88,900	25,400	19,050	25,400	1,80
M804049/10	47,625	88,900	25,400	19,050	25,400	1,80
3778/3720	47,625	93,264	30,302	23,812	30,162	8,10
3779/3720	47,625	93,264	30,302	23,812	30,162	8,10
HM804846/10	47,625	95,250	29,370	23,020	30,162	3,80
386A/382A	47,625	96,838	21,946	15,875	21,000	3,00
528/522	47,625	101,600	36,068	26,988	34,925	12,70
463/453X	47,625	104,775	29,317	24,605	30,162	7,10
467/453X	47,625	104,775	29,317	24,605	30,162	7,10
45282/45220	47,625	104,775	30,958	23,812	30,162	8,10
55187C/55437	47,625	111,125	26,909	20,638	30,162	7,60
55187C/55443	47,625	112,712	26,909	20,638	30,162	7,60
72188C/72487	47,625	123,825	32,791	25,400	36,512	2,00
HM804848/10	48,412	95,250	29,370	23,020	30,162	3,80
HM804848/11	48,412	95,250	29,370	23,020	30,162	3,80
HM804848A/10	48,412	95,250	29,370	23,020	30,162	3,80
HM804849/10	48,412	95,250	29,370	23,020	30,162	3,80
365S/362A	49,212	88,900	22,225	16,513	20,638	4,30
3781/3720	49,212	93,264	30,302	23,812	30,162	8,10
5395/5335	49,212	103,188	44,475	36,512	43,658	16,00
HM807044/10	49,212	104,775	36,512	28,575	36,512	7,40
65390/65320	49,212	114,300	44,450	34,925	44,450	12,40
HH506348/10	49,212	114,300	44,450	36,068	44,450	13,50
LM104947A/11	49,987	82,550	22,225	16,510	21,590	5,80
28579/28520	49,987	89,980	25,400	19,987	24,750	4,80
28579/28521	49,987	92,075	25,400	19,845	24,608	4,80
HH506349/10	49,987	114,300	44,450	36,068	44,450	13,50
JLM104948/10	50,000	82,000	21,500	17,000	21,500	5,30
JLM704649/10	50,000	84,000	22,000	17,500	22,000	2,30
365/362A	50,000	88,900	22,225	16,513	20,638	4,30
366/362A	50,000	88,900	22,225	16,513	20,638	4,30
JM205149/10	50,000	90,000	28,000	23,000	28,000	7,60
JM205149A/10	50,000	90,000	28,000	23,000	28,000	7,60
JW5049/10	50,000	105,000	29,000	22,000	32,000	4,30
JHM807045/12	50,000	105,000	36,000	29,000	37,000	7,40
396/394A	50,000	110,000	21,996	18,824	22,000	0,80
LL205449/10	50,800	77,788	12,700	9,525	12,700	0,00
L305649/10	50,800	80,962	18,258	14,288	18,258	2,50

Basic makes

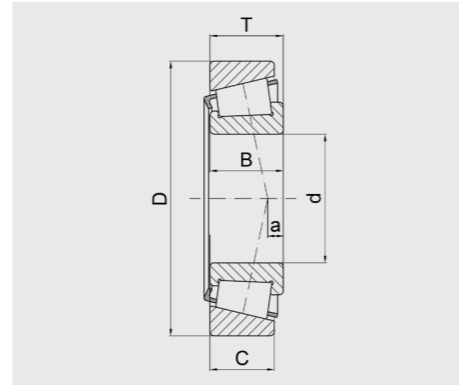
-

✓

Note : In the following tables dimensions for inch series are given in mm

Weight (kg)	Basic load ratings (kN)		Limiting speed (rpm)		Bearing No.
	dyn. C	stat. Co	grease	oil	
0,33	48,2	61,3	4800	6300	18690/18620
0,37	47	61,1	4600	6200	13181/13318
0,53	83,8	111	4500	6000	25592/25520
0,42	60,8	74,9	5300	7000	18780/18720
0,48	75,8	89,2	4400	5800	359A/354A
0,48	75,8	89,2	4400	5800	359S/354A
0,6	86,4	117	4400	5800	2984/2924
0,64	75,8	89,2	4400	5800	359S/352
0,93	113	153	4000	5300	3777/3720
0,9	118	144	4200	5600	436/432
0,54	79,5	95,8	4100	5500	369A/362A
0,54	79,5	95,8	4100	5500	369S/362A
0,66	91,3	116	4200	5600	M804048/10
0,65	91,3	116	4200	5600	M804049/10
0,88	113	153	4000	5300	3778/3720
0,9	113	153	4000	5300	3779/3720
0,96	115	157	4000	5300	HM804846/10
0,72	84,2	108	3800	5500	386A/382A
1,29	152	192	3800	5000	528/522
1,21	126	166	3500	4700	463/453X
1,22	126	166	3500	4700	467/453X
1,26	142	189	3500	4700	45282/45220
1,39	118	161	3200	4200	55187C/55437
1,47	118	161	3000	4000	55187C/55443
2,25	167	208	2900	3900	72188C/72487
0,95	115	157	4000	5300	HM804848/10
0,96	115	157	4000	5300	HM804848/11
0,95	115	157	4000	5300	HM804848A/10
0,95	115	157	4000	5300	HM804849/10
0,53	79,5	95,8	4100	5500	365S/362A
0,87	113	153	4000	5300	3781/3720
1,73	197	267	3800	5000	5395/5335
1,52	159	223	3600	4800	HM807044/10
2,18	207	256	3600	4800	65390/65320
2,34	228	290	3500	4700	HH506348/10
0,44	75,2	104	4300	5700	LM104947A/11
0,66	91,6	130	4000	5300	28579/28520
0,71	91,6	130	4000	5300	28579/28521
2,32	228	290	3500	4700	HH506349/10
0,41	75,2	104	4300	5700	JLM104948/10
0,45	75,2	104	4300	5700	JLM704649/10
0,51	79,5	95,8	4100	5500	365/362A
0,51	79,5	95,8	4100	5500	366/362A
0,74	115	154	4100	5400	JM205149/10
0,73	115	154	4100	5400	JM205149A/10
1,21	111	138	3500	4700	JW5049/10
1,52	159	223	3600	4800	JHM807045/12
1,04	91,6	126	3200	4300	396/394A
0,19	34,6	47,2	5700	7600	LL205449/10
0,34	56,3	88,8	4600	6200	L305649/10

1.2 TAPERED ROLLER BEARINGS - INCH



Bearing No.	Dimensions					
	d	D	B	T	C	a
LM104949/11	50,800	82,550	22,225	16,510	21,590	5,80
LM104949/12	50,800	82,931	22,225	16,510	21,590	5,80
18790/18720	50,800	85,000	17,462	13,495	17,462	0,80
18200/18337	50,800	85,725	18,263	12,700	19,050	1,90
18790/18724	50,800	88,900	17,462	13,495	17,462	0,80
368/362	50,800	88,900	22,225	16,513	20,638	4,30
368A/362A	50,800	88,900	22,225	16,513	20,638	4,30
370A/362A	50,800	88,900	22,225	16,513	20,638	4,30
368A/362	50,800	90,000	22,225	16,513	20,000	4,30
368A/363	50,800	90,000	22,225	20,000	20,000	4,30
28580/28521	50,800	92,075	25,400	19,845	24,608	4,80
28580A/28521	50,800	92,075	25,400	19,845	24,608	4,80
375/374	50,800	93,264	22,225	15,083	20,638	3,80
3775/3720	50,800	93,264	30,302	23,812	30,162	8,10
3780/3720	50,800	93,264	30,302	23,812	30,162	8,10
3780/3730	50,800	93,264	30,302	23,812	30,162	8,10
3784/3720	50,800	93,264	30,302	23,812	30,162	8,10
33889/33821	50,800	95,250	28,575	22,225	27,783	7,60
3780/3726	50,800	95,250	30,302	23,812	30,162	8,10
385A/382A	50,800	96,838	21,946	15,875	21,000	3,00
385AX/382A	50,800	96,838	21,946	15,875	21,000	3,00
28678/28622	50,800	97,630	24,608	19,446	24,608	3,30
3780/3732	50,800	98,425	30,302	23,812	30,162	8,10
49585/49520	50,800	101,600	31,750	25,400	31,750	7,10
529/522	50,800	101,600	36,068	26,988	34,925	12,70
529X/522	50,800	101,600	36,068	26,988	34,925	12,70
455/453X	50,800	104,775	29,317	24,605	30,162	7,10
455S/453X	50,800	104,775	29,317	24,605	30,162	7,10
45284/45220	50,800	104,775	30,958	23,812	30,162	8,10
45285A/45220	50,800	104,775	30,958	23,812	30,162	8,10
45485/45220	50,800	104,775	30,958	23,812	30,162	8,10
59200/59412	50,800	104,775	36,512	28,575	36,512	9,70
59201/59412	50,800	104,775	36,512	28,575	36,512	9,70
HM807046/10	50,800	104,775	36,512	28,575	36,512	7,40
4580/4535	50,800	104,775	40,157	33,338	39,688	12,40
537/532X	50,800	107,950	36,957	28,575	36,512	12,20
398/394A	50,800	110,000	21,996	18,824	22,000	0,80
55200C/55437	50,800	111,125	26,909	20,638	30,162	7,60
HM907643/14	50,800	111,125	28,575	20,638	30,162	7,50
537/532A	50,800	111,125	36,957	30,162	38,100	12,20
55200C/55443	50,800	112,712	26,909	20,638	30,162	7,60
3975/3920	50,800	112,712	30,048	23,812	30,162	4,60
39573/39520	50,800	112,712	30,162	23,812	30,162	6,60
39575/39520	50,800	112,712	30,162	23,812	30,162	6,60
65395/65320	50,800	114,300	44,450	34,925	44,450	12,40
66200/66462	50,800	117,475	31,750	23,812	33,338	0,30
619/612	50,800	120,650	41,275	31,750	41,275	14,00
72200C/72487	50,800	123,825	32,791	25,400	35,450	2,00
72201C/72487	50,800	123,825	32,791	25,400	35,451	2,00
555/552A	50,800	123,825	36,678	30,162	38,100	9,40

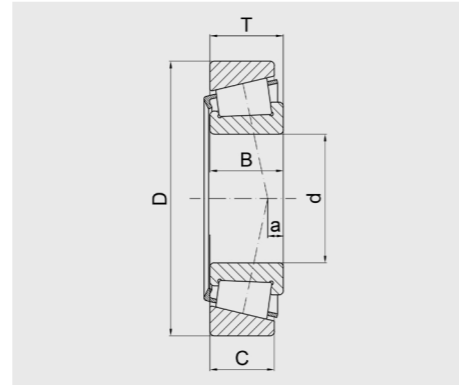
Basic makes

-

Note : In the following tables dimensions for inch series are given in mm

Weight (kg)	Basic load ratings (kN)		Limiting speed (rpm)		Bearing No.
	dyn. C	stat. Co	grease	oil	
0,42	75,2	104	4300	5700	LM104949/11
0,42	75,2	104	4300	5700	LM104949/12
0,36	50,6	67,5	4200	5600	18790/18720
0,39	47,8	63,9	5600	7500	18200/18337
0,42	50,6	67,5	4200	5600	18790/18724
0,5	75,8	89,2	4300	5600	368/362
0,5	79,5	95,8	4300	5600	368A/362A
0,49	79,5	95,8	4100	5500	370A/362A
0,51	79,5	95,8	4300	5600	368A/362
0,54	79,5	95,8	4100	5500	368A/363
0,69	91,6	130	4000	5300	28580/28521
0,7	91,6	130	5000	6700	28580A/28521
0,59	81,4	101	3000	4000	375/374
0,85	113	153	4000	5300	3775/3720
0,84	113	153	4000	5300	3780/3720
0,85	113	153	4000	5300	3780/3730
0,82	113	153	4000	5300	3784/3720
0,85	120	161	3900	5200	33889/33821
0,89	113	153	4000	5300	3780/3726
0,67	84,2	108	3700	5000	385A/382A
0,68	84,2	108	3700	5000	385AX/382A
0,83	96,3	142	3800	5000	28678/28622
0,98	113	153	4000	5300	3780/3732
1,11	123	155	3700	5000	49585/49520
1,23	152	192	3800	5000	529/522
1,22	152	192	3800	5000	529X/522
1,17	126	166	3500	4700	455/453X
1,16	126	166	3500	4700	455S/453X
1,19	142	189	3600	4800	45284/45220
1,21	142	189	3500	4700	45285A/45220
1,21	142	189	3500	4700	45485/45220
1,39	158	202	3700	4900	59200/59412
1,4	158	202	2400	3400	59201/59412
1,49	159	223	3400	4500	HM807046/10
1,61	167	237	1800	2600	4580/4535
1,52	159	206	3600	4800	537/532X
1,03	91,6	126	2600	3600	398/394A
1,34	118	161	3200	4300	55200C/55437
1,34	114	153	3000	4000	HM907643/14
1,7	159	206	3600	4800	537/532A
1,39	118	161	3200	4300	55200C/55443
1,49	129	191	3200	4300	3975/3920
1,52	155	224	3200	4200	39573/39520
1,49	155	224	3200	4200	39575/39520
2,14	207	256	2400	3200	65395/65320
1,64	138	166	3300	4400	66200/66462
2,26	192	244	3300	4400	619/612
2,19	167	208	2900	3900	72200C/72487
2,19	167	208	2900	3900	72201C/72487
2,3	177	248	3000	4100	555/552A

1.2 TAPERED ROLLER BEARINGS - INCH



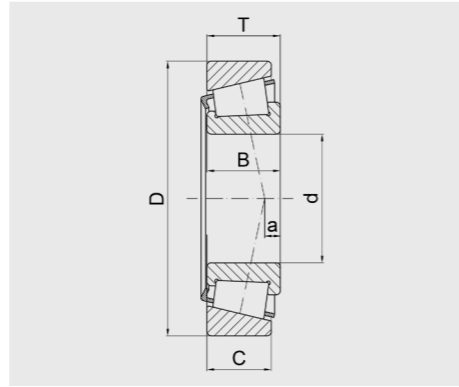
Bearing No.	Dimensions					
	d	D	B	T	C	a
65200/65500	50,800	127,000	44,450	34,925	44,450	9,40
368S/362A	51,592	88,900	22,225	16,513	20,638	4,30
28584/28521	52,388	92,075	25,400	19,845	24,608	4,80
3767/3720	52,388	93,264	30,302	23,812	30,162	8,10
33890/33821	52,388	95,250	28,575	22,225	27,783	7,60
33891/33821	52,388	95,250	28,575	22,225	27,783	7,60
468/453X	52,388	104,775	29,317	24,605	30,162	7,10
55206C/55437	52,388	111,125	26,909	20,638	30,162	7,60
LM805549/10	53,975	88,900	19,050	22,225	19,050	7,60
33895/33822	53,975	95,250	28,575	22,225	27,783	7,60
33895/33821	53,975	95,250	28,575	22,225	27,783	7,60
389A/382A	53,975	96,838	21,946	15,875	21,000	3,00
456/453X	53,975	104,775	29,317	24,605	30,162	7,10
45287/45220	53,975	104,775	30,958	23,812	30,162	8,10
HM807049/10	53,975	104,775	36,512	28,575	36,512	7,40
HM807049A/10	53,975	104,775	36,512	28,575	36,512	7,40
4595/4535	53,975	104,775	40,157	33,338	39,688	12,30
539/532X	53,975	107,950	36,957	28,575	36,512	12,20
539A/532X	53,975	107,950	36,957	28,575	36,512	12,20
55212C/55434	53,975	109,985	26,909	19,726	28,217	7,60
539/532A	53,975	111,125	36,957	30,162	38,100	12,20
39578/39520	53,975	112,712	30,162	23,812	30,162	6,60
66212/66462	53,975	117,475	31,750	23,812	33,338	0,30
621/612	53,975	120,650	41,275	31,750	41,275	14,00
66584/66520	53,975	122,238	31,750	23,812	33,338	2,00
5578/5535	53,975	122,238	43,764	36,512	43,658	12,20
72212C/72487	53,975	123,825	32,791	25,400	36,512	2,00
557S/552A	53,975	123,825	36,678	30,162	38,100	9,40
65212/65500	53,975	127,000	44,450	34,925	44,450	9,40
6280/6220	53,975	127,000	52,388	41,275	50,800	19,60
HM911242/10	53,975	130,175	33,338	23,812	36,512	5,30
636/632	53,975	136,525	41,275	31,750	41,275	11,20
78214C/78551	53,975	140,030	33,236	23,520	36,512	8,40
78215C/78551	53,975	140,030	33,236	23,520	36,512	8,40
HM807048/10	54,488	104,775	36,512	28,575	36,513	7,40
466/453X	54,988	104,775	29,317	24,605	30,162	7,10
6381/6320	54,988	135,755	56,007	44,450	53,975	19,30
JLM506849/10	55,000	90,000	23,000	18,500	23,000	2,80
JM207049/10	55,000	95,000	29,000	23,500	29,000	7,60
JM207049A/10	55,000	95,000	29,000	23,500	29,000	7,60
385/382A	55,000	96,838	21,946	15,875	21,000	3,00
385X/382A	55,000	96,838	21,946	15,875	21,000	3,00
JH307749/10	55,000	110,000	39,000	32,000	39,000	11,70
JW5549/10	55,000	115,000	31,000	23,500	34,000	5,80
475/472	55,000	120,000	29,007	24,237	29,794	4,10
28680/28622	55,562	97,630	24,608	19,446	24,608	3,40
72218C/72487	55,562	123,825	32,791	25,400	36,512	2,00
HM813840/10	55,562	127,000	36,512	26,988	36,512	3,80
389/382A	55,575	96,838	21,946	15,875	21,000	3,00
L507949/10	57,150	87,312	18,258	14,288	18,258	0,80



Note : In the following tables dimensions for inch series are given in mm

Weight (kg)	Basic load ratings (kN)		Limiting speed (rpm)		Bearing No.
	dyn. C	stat. Co	grease	oil	
2,87	225	297	2300	3100	65200/65500
0,49	79,5	95,8	4100	5500	368S/362A
0,66	91,6	130	4000	5300	28584/28521
0,81	113	153	4000	5300	3767/3720
0,82	120	161	3900	5200	33890/33821
0,84	120	161	3900	5200	33891/33821
1,12	126	166	3700	5000	468/453X
1,31	118	161	2100	2800	55206C/55437
0,42	75,2	104	4300	5700	LM805549/10
0,79	120	161	3900	5200	33895/33822
0,79	120	161	3900	5200	33895/33821
0,63	84,2	108	3700	5000	389A/382A
1,1	126	166	2900	3800	456/453X
1,15	142	189	3500	4700	45287/45220
1,41	159	223	3400	4500	HM807049/10
1,42	159	223	3400	4500	HM807049A/10
1,54	167	237	2400	3400	4595/4535
1,44	159	206	3600	4800	539/532X
1,43	159	206	3600	4800	539A/532X
1,24	118	161	3200	4300	55212C/55434
1,61	159	206	3600	4800	539/532A
1,45	155	224	3600	4800	39578/39520
1,58	138	166	1600	2100	66212/66462
2,18	192	244	3200	4300	621/612
1,78	143	178	3100	4200	66584/66520
2,59	219	327	3100	4100	5578/5535
2,12	167	208	2900	3900	72212C/72487
2,22	177	248	3000	4100	557S/552A
2,86	225	297	3000	4000	65212/65500
3,24	283	370	2200	3200	6280/6220
2,22	154	183	2700	3600	HM911242/10
3,1	216	298	2400	3200	636/632
2,75	185	234	2600	3400	78214C/78551
2,74	185	234	2600	3400	78215C/78551
1,4	159	223	3600	4800	HM807048/10
1,08	126	166	4100	5500	466/453X
4,03	298	404	2300	3100	6381/6320
0,55	85	123	3900	5300	JLM506849/10
0,84	121	168	3800	5100	JM207049/10
0,81	121	168	3800	5100	JM207049A/10
0,61	84,2	108	3700	5000	385/382A
0,61	84,2	108	3700	5000	385X/382A
1,69	194	251	2400	3400	JH307749/10
1,58	135	175	2400	3400	JW5549/10
1,64	133	186	3300	4400	475/472
0,75	96,3	142	3700	4900	28680/28622
2,08	167	208	2900	3900	72218C/72487
2,73	179	256	2900	3800	HM813840/10
0,6	84,2	108	3700	5000	389/382A
0,38	58,1	95,6	4900	6500	L507949/10

1.2 TAPERED ROLLER BEARINGS - INCH



Bearing No.	Dimensions					
	d	D	B	T	C	a
387/382	57,150	96,838	21,946	15,875	21,000	3,00
387A/382A	57,150	96,838	21,946	15,875	21,000	3,00
387A/382S	57,150	96,838	21,946	20,274	25,400	3,00
387AS/382A	57,150	96,838	21,946	15,875	21,000	3,00
387S/382A	57,150	96,838	21,946	15,875	21,000	3,00
28682/28622	57,150	97,630	24,608	19,446	24,608	3,30
387A/382	57,150	98,425	21,946	17,826	21,000	3,00
387A/383A	57,150	100,000	21,946	17,826	21,000	3,00
462/453X	57,150	104,775	29,317	24,605	30,162	7,10
469/453X	57,150	104,775	29,317	24,605	30,162	7,10
45289/45220	57,150	104,775	30,958	23,812	30,162	8,10

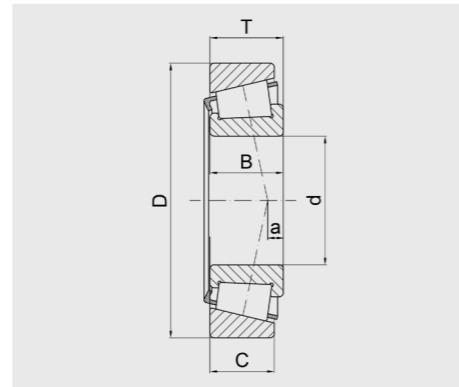
Basic makes
-

Note : In the following tables dimensions for inch series are given in mm

Weight (kg)	Basic load ratings (kN)		Limiting speed (rpm)		Bearing No.
	dyn. C	stat. C ₀	grease	oil	
0,58	83,8	108	3800	5000	387/382
0,57	84,2	108	3800	5000	387A/382A
0,64	84,2	108	3800	5000	387A/382S
0,56	84,2	108	3800	5000	387AS/382A
0,58	84,2	108	3800	5000	387S/382A
0,73	96,3	142	3700	4900	28682/28622
0,62	84,2	108	3800	5000	387A/382
0,65	84,2	108	3800	5000	387A/383A
1,04	126	166	3600	4800	462/453X
1,03	126	166	2700	3600	469/453X
1,08	142	189	3500	4700	45289/45220



1.2 TAPERED ROLLER BEARINGS - INCH



Bearing No.	Dimensions					
	d	D	B	T	C	a
HM813841/10	60,325	127,000	36,512	26,988	36,512	3,80
HM813841A/10	60,325	127,000	36,512	26,988	36,512	3,80
65237/65500	60,325	127,000	44,450	34,925	44,450	9,40
65237A/65500	60,325	127,000	44,450	34,925	44,450	9,40
HM911245/10	60,325	130,175	33,338	23,812	36,512	5,30
HM911245/16	60,325	134,983	33,338	21,948	35,862	5,30
H715332/11	60,325	136,525	46,038	36,512	46,038	8,60
HH814542/10	60,325	152,400	52,705	41,275	52,705	10,90
28990/28920	61,912	101,600	24,608	19,845	24,608	1,80
392/394A	61,912	110,000	21,996	18,824	22,000	0,80
HM911249/10	61,912	130,175	33,338	23,812	36,512	5,30
H715334/11	61,912	136,525	46,038	36,512	46,038	8,60
H913842/10	61,912	146,050	39,688	25,400	41,275	4,30
H913843/10	61,912	146,050	39,688	25,400	41,275	4,30
28995/28920	62,738	101,600	25,400	19,845	25,400	2,50
L910349/10	63,487	94,976	15,500	12,000	17,000	11,70
LL510749/10	63,500	92,075	12,700	9,525	13,495	3,00
L610549/10	63,500	94,458	19,050	15,083	19,050	0,50
39250/39412	63,500	104,775	22,000	15,875	21,433	1,50
29585/29520	63,500	107,950	25,400	19,050	25,400	0,80
29585/29522	63,500	107,950	25,400	19,050	25,400	0,80
29586/29520	63,500	107,950	25,400	19,050	25,400	0,80
390A/394A	63,500	110,000	21,996	18,824	22,000	0,80
390A/394AS	63,500	110,000	21,996	18,824	22,000	0,80
395/394A	63,500	110,000	21,996	18,824	22,000	0,80
29585/29521	63,500	110,000	25,400	19,050	25,400	0,80
3982/3920	63,500	112,712	30,048	23,812	30,162	4,60
39585/39520	63,500	112,712	30,162	23,812	30,162	6,60
39585A/39520	63,500	112,712	30,162	23,812	30,162	6,60
477/472	63,500	120,000	29,007	24,237	29,794	4,10
483/472	63,500	120,000	29,007	24,237	29,794	4,10
HM212046/11	63,500	122,238	38,354	29,718	38,100	10,90
HM212047/11	63,500	122,238	38,354	29,718	38,100	10,90
5584/5535	63,500	122,238	43,764	36,512	43,658	12,20
559/552A	63,500	123,825	36,678	30,162	38,100	9,40
565/563	63,500	127,000	36,170	28,575	36,512	8,10
HM813842/10	63,500	127,000	36,512	26,988	36,512	3,80
HM813842A/10	63,500	127,000	36,512	26,988	36,512	3,80
6382/6320	63,500	135,755	56,007	44,450	53,975	19,30
78250/78537	63,500	136,525	33,236	23,520	36,512	7,90
639/632	63,500	136,525	41,275	31,750	41,275	11,20
H414235/10	63,500	136,525	41,275	31,750	41,275	10,90
78250/78551	63,500	140,030	33,236	23,520	36,512	7,90
HH914447/12	63,500	177,800	53,975	37,308	57,150	0,30
39586/39520	64,988	112,712	30,924	23,812	30,162	6,60
78255X/78551	64,988	140,030	32,923	23,520	36,512	7,90
78255X/78571	64,988	144,983	32,923	23,007	36,000	7,90
JLM710949/10	65,000	105,000	23,000	18,500	24,000	0,30
JLM710949C/10	65,000	105,000	23,000	18,500	24,000	0,30
JM511946/10	65,000	110,000	28,000	22,500	28,000	3,30

Basic makes

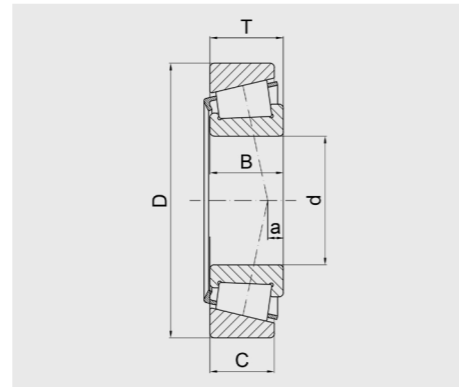
-

✓

Note : In the following tables dimensions for inch series are given in mm

Weight (kg)	Basic load ratings (kN)		Limiting speed (rpm)		Bearing No.
	dyn. C	stat. Co	grease	oil	
2,61	179	256	2900	3800	HM813841/10
2,61	179	256	2900	3800	HM813841A/10
2,66	225	297	3000	4000	65237/65500
2,59	225	297	3000	4000	65237A/65500
2,06	154	183	2600	3600	HM911245/10
2,18	154	183	2700	3600	HM911245/16
3,55	249	405	2800	3800	H715332/11
5,01	328	451	1700	2500	HH814542/10
0,75	98,2	149	3500	4700	28990/28920
0,86	91,6	126	3200	4300	392/394A
2,03	154	183	2900	3800	HM911249/10
3,49	249	405	2400	3400	H715334/11
3,11	213	256	2200	3200	H913842/10
3,12	213	256	2200	3200	H913843/10
0,74	98,2	149	3500	4700	28995/28920
0,38	40,6	62,3	4900	6500	L910349/10
0,26	35,8	53,3	5700	7600	LL510749/10
0,45	62	108	3600	4800	L610549/10
0,67	89,6	120	3400	4500	39250/39412
0,91	102	158	3200	4300	29585/29520
0,93	102	158	3200	4300	29585/29522
0,92	102	158	3200	4300	29586/29520
0,83	91,6	126	3200	4300	390A/394A
0,82	91,6	126	3200	4300	390A/394AS
0,82	91,6	126	3200	4300	395/394A
0,98	102	158	3200	5000	29585/29521
1,22	129	191	3200	4300	3982/3920
1,22	155	224	3200	4300	39585/39520
1,23	155	224	3200	4300	39585A/39520
1,46	133	186	3000	4000	477/472
1,45	133	186	3000	4000	483/472
1,94	209	279	3100	4100	HM212046/11
1,91	209	279	3100	4100	HM212047/11
2,29	219	327	3100	4100	5584/5535
1,97	177	248	3000	4100	559/552A
2,08	182	263	2900	3800	565/563
2,52	179	256	2900	3800	HM813842/10
2,53	179	256	2900	3800	HM813842A/10
3,68	298	404	2200	3200	6382/6320
2,26	158	193	3300	4400	78250/78537
2,81	216	298	2800	3800	639/632
2,91	252	335	1300	1800	H414235/10
2,41	158	193	2600	3400	78250/78551
6,87	352	413	1200	1600	HH914447/12
1,2	155	224	3600	4800	39586/39520
2,4	158	193	3100	4100	78255X/78551
2,57	158	193	2600	3400	78255X/78571
0,72	100	139	3300	4500	JLM710949/10
0,81	100	139	3300	4500	JLM710949C/10
1,05	131	195	3200	4300	JM511946/10

1.2 TAPERED ROLLER BEARINGS - INCH



Bearing No.	Dimensions					
	d	D	B	T	C	a
JD6549/10	65,000	110,000	31,000	25,000	31,000	7,60
JH211749/10	65,000	120,000	38,500	32,000	39,000	10,70
JH211749A/10	65,000	120,000	38,500	32,000	39,000	10,70
JW6549/10	65,000	130,000	33,500	26,000	37,000	7,90
J6392/27	65,000	140,000	56,007	44,450	53,975	19,30
6379/6320	65,088	135,755	56,007	44,450	53,975	19,30
H715340/11	65,088	136,525	46,038	36,512	46,038	8,60
5595/5535	65,883	122,238	43,764	36,512	43,658	12,20
H212749/10	65,987	123,975	41,500	34,000	41,500	12,20
L812147/11	66,675	103,213	17,247	11,989	17,247	4,00
L812148/11	66,675	103,213	17,602	11,989	17,602	3,60
29590/29520	66,675	107,950	25,400	19,050	25,400	0,80
395A/394A	66,675	110,000	21,996	18,824	22,000	0,80
395S/394A	66,675	110,000	21,996	18,824	22,000	0,80
3984/3920	66,675	112,712	30,048	23,812	30,162	4,60
3984/3925	66,675	112,712	30,048	23,812	30,162	4,60
3984/3926	66,675	112,712	30,048	26,988	33,338	4,60
3994/3920	66,675	112,712	30,048	23,812	30,162	4,60
39590/39520	66,675	112,712	30,162	23,812	30,162	6,60
39590/39521	66,675	112,712	30,162	23,812	30,162	6,60
39591/39520	66,675	112,712	30,162	23,812	30,162	6,60
HM212049/10	66,675	122,238	38,354	29,718	38,100	10,90
HM212049/11	66,675	122,238	38,354	29,718	38,100	10,90
HM212049X/11	66,675	122,238	38,354	29,718	38,100	10,90
560/552A	66,675	123,825	36,678	30,162	38,100	9,40
HM813844/10	66,675	127,000	36,512	26,988	36,512	3,80
HM813844/11	66,675	127,000	36,512	26,988	36,512	3,80
641/633	66,675	130,175	41,275	31,750	41,275	11,20
6386/6320	66,675	135,755	56,007	44,450	53,975	19,30
6389/6320	66,675	135,755	56,007	44,450	53,975	19,30
641/632	66,675	136,525	41,275	31,750	41,275	11,20
H414242/10	66,675	136,525	41,275	31,750	41,275	10,90
H715341/11	66,675	136,525	46,038	36,512	46,038	8,60
H715341A/11	66,675	136,525	46,038	36,512	46,038	8,60
HH914449/12	66,675	177,800	53,975	37,308	57,150	0,30
399A/394A	68,262	110,000	21,996	18,824	22,000	0,80
399AS/394A	68,262	110,000	21,996	18,824	22,000	0,80
33269/33462	68,262	117,475	30,162	23,812	30,162	2,80
480/472	68,262	120,000	29,007	24,237	29,794	4,10
560S/552A	68,262	123,825	36,678	30,162	38,100	9,40
570/563	68,262	127,000	36,170	28,575	36,512	8,10
H414245/10	68,262	136,525	41,275	31,750	41,275	10,90
H414245X/10	68,262	136,525	41,275	31,750	41,275	10,90
H715343/11	68,262	136,525	46,038	36,512	46,038	8,60
H715343/10	68,262	139,700	46,038	36,512	46,038	8,60
9185/9121	68,262	152,400	46,038	31,750	47,625	3,80
9278/9220	68,262	161,925	46,038	31,750	49,212	0,00
LL713149/10	69,850	99,217	16,000	13,000	17,000	4,60
L713049/10	69,850	101,600	19,050	15,083	19,050	2,70
LM613449/10	69,850	112,712	21,996	15,875	22,225	0,00

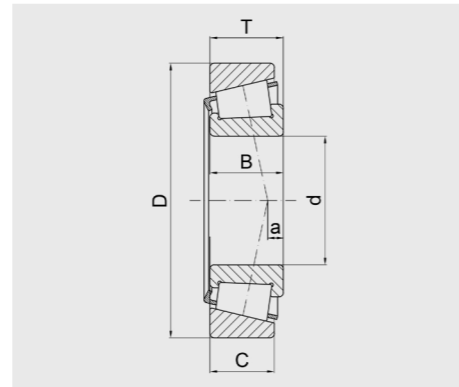
Basic makes

-

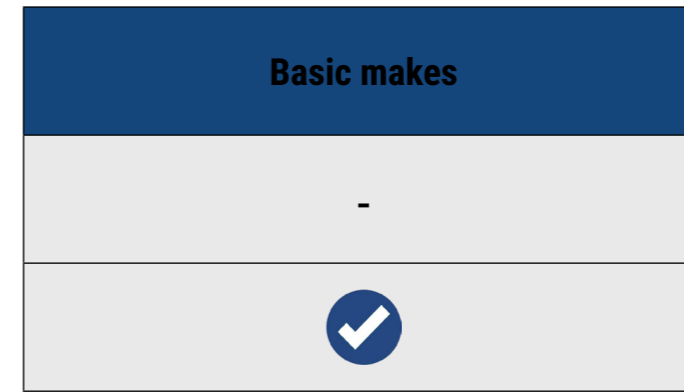
Note : In the following tables dimensions for inch series are given in mm

Weight (kg)	Basic load ratings (kN)		Limiting speed (rpm)		Bearing No.
	dyn. C	stat. Co	grease	oil	
1,18	151	212	3000	4000	JD6549/10
1,86	207	283	3100	4100	JH211749/10
1,83	207	283	3100	4100	JH211749A/10
2,14	162	220	3000	4100	JW6549/10
3,94	298	404	2400	3200	J6392/27
3,61	298	404	2900	3800	6379/6320
3,38	249	405	1900	2800	H715340/11
2,21	219	327	2100	2800	5595/5535
2,15	231	319	3000	4000	H212749/10
0,5	64,8	89,1	4300	5600	L812147/11
0,49	64,8	89,1	5400	7200	L812148/11
0,84	102	158	3200	4300	29590/29520
1,06	91,6	126	3200	4300	395A/394A
0,78	91,6	126	3200	4300	395S/394A
0,78	129	191	3200	4300	3984/3920
1,14	129	191	3200	4300	3984/3925
1,13	129	191	3200	4300	3984/3926
1,15	129	191	3200	4300	3994/3920
1,13	155	224	3200	4300	39590/39520
1,15	155	224	3200	4200	39590/39521
1,17	155	224	3500	4700	39591/39520
1,85	209	279	3100	4100	HM212049/10
1,84	209	279	3100	4100	HM212049/11
1,81	209	279	3100	4100	HM212049X/11
1,87	177	248	3000	4000	560/552A
2,02	179	256	2900	3800	HM813844/10
1,99	179	256	3100	4100	HM813844/11
2,38	216	298	2800	3800	641/633
3,54	298	404	2800	3800	6386/6320
3,52	298	404	2900	3800	6389/6320
2,71	216	298	2800	3800	641/632
2,81	252	335	2700	3700	H414242/10
3,32	249	405	1800	2600	H715341/11
3,36	249	405	1700	2400	H715341A/11
6,73	352	413	1200	1600	HH914449/12
0,74	91,6	126	3200	4300	399A/394A
0,72	91,6	126	3200	4300	399AS/394A
1,29	128	197	3200	4300	33269/33462
1,34	133	186	300	4000	480/472
1,83	177	248	3000	4000	560S/552A
1,94	182	263	3100	4100	570/563
2,75	252	335	2700	3700	H414245/10
2,69	252	335	2700	3700	H414245X/10
3,26	249	405	2400	3400	H715343/11
3,46	249	405	2400	3400	H715343/10
3,83	264	306	2100	2800	9185/9121
4,64	275	330	1900	2800	9278/9220
0,38	45,2	75	5600	7500	LL713149/10
0,51	61,9	111	4300	5600	L713049/10
0,77	93,4	131	4400	5900	LM613449/10

1.2 TAPERED ROLLER BEARINGS - INCH



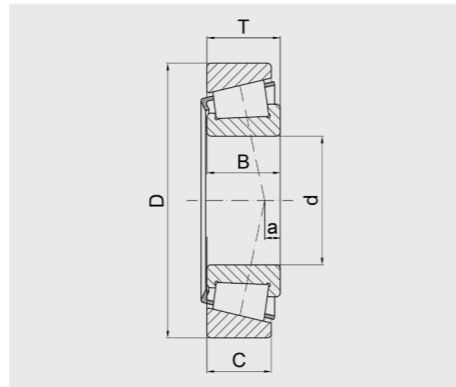
Bearing No.	Dimensions					
	d	D	B	T	C	a
29675/29620	69,850	112,712	25,400	19,050	25,400	1,00
33275/33462	69,850	117,475	30,162	23,812	30,162	2,80
482/472	69,850	120,000	29,007	24,237	29,794	4,10
482/472A	69,850	120,000	29,007	23,444	29,002	4,10
47487/47420	69,850	120,000	32,545	26,195	32,545	6,40
47487/47420A	69,850	120,000	32,545	26,195	32,545	6,40
29675/29630	69,850	120,650	25,400	19,050	25,400	1,00
566/563	69,850	127,000	36,170	28,575	36,512	8,10
643/632	69,850	136,525	41,275	31,750	41,275	11,20
HM914545/10	69,850	146,050	33,338	23,812	36,512	12,70
H913849/10	69,850	146,050	39,688	25,400	41,275	4,30
655/653	69,850	146,050	41,275	31,750	41,275	7,90
745A/742	69,850	150,089	46,672	36,512	44,450	11,90
835/832	69,850	168,275	56,363	41,275	53,975	18,50
34274/34478	69,952	121,442	23,012	17,462	24,608	1,50
34274/34492A	69,952	125,052	23,012	16,400	23,731	1,50
H715347/11	69,987	136,525	46,038	36,512	46,038	8,60
H916642/10	69,987	176,212	53,183	36,512	54,770	2,00
JP7049/10	70,000	110,000	20,000	15,500	21,000	2,50
JLM813049/10	70,000	110,000	25,000	20,500	26,000	0,30
JM612949/10	70,000	115,000	29,000	23,000	29,000	2,50
484/472	70,000	120,000	29,007	24,237	29,794	4,10
JF7049/10	70,000	130,000	42,000	35,000	43,000	12,40
JF7049A/10	70,000	130,000	42,000	35,000	43,000	12,40
JW7049/10	70,000	140,000	35,500	27,000	39,000	8,60
JH913848/11	70,000	150,000	39,688	25,400	41,275	4,30
29680/29620	70,637	112,712	25,400	19,050	25,400	0,90
33281/33462	71,438	117,475	30,162	23,812	30,162	2,80
47490/47420	71,438	120,000	32,545	26,195	32,545	6,40
567A/563	71,438	127,000	36,170	28,575	36,512	8,10
HM813849/10	71,438	127,000	36,512	26,988	36,512	3,80
495S/493	71,438	136,525	29,769	22,225	30,162	0,80
644/632	71,438	136,525	41,275	31,750	41,275	11,20
645/632	71,438	136,525	41,275	31,750	41,275	11,20
H414249/10	71,438	136,525	41,275	31,750	41,275	10,90
H715345/11	71,438	136,525	46,038	36,512	46,038	8,60
H715345/10	71,438	139,700	46,038	36,512	46,038	8,60
29685/29620	73,025	112,712	25,400	19,050	25,400	0,90
33287/33462	73,025	117,475	30,162	23,812	30,162	2,80
33287/33472	73,025	120,000	30,162	23,444	29,794	2,80
567/563	73,025	127,000	36,170	28,575	36,512	8,10
567X/563	73,025	127,000	36,170	28,575	36,512	8,10
576/572	73,025	139,992	36,098	28,575	36,512	5,30
657/653	73,025	146,050	41,275	31,750	41,275	7,90
6460/6420	73,025	149,225	54,229	44,450	53,975	15,00
744/742	73,025	150,089	46,672	36,512	44,450	11,90
762/752	73,025	161,925	48,260	38,100	47,625	11,90
29688/29620	73,817	112,712	25,400	19,050	25,400	0,90
568/563	73,817	127,000	36,170	28,575	36,512	8,10
577/572	74,612	139,992	36,098	28,575	36,512	5,30
JLM714149/10	75,000	115,000	25,000	19,000	25,000	0,50



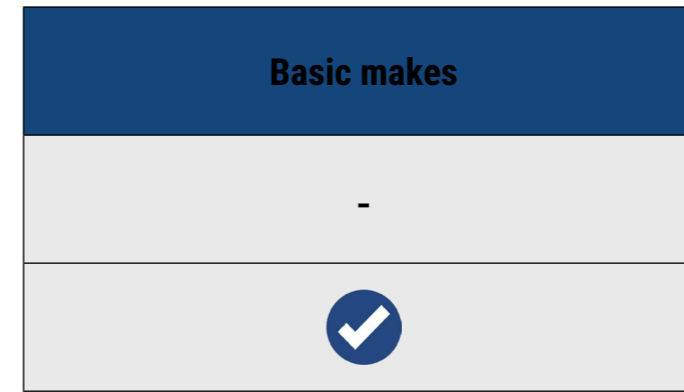
Note : In the following tables dimensions for inch series are given in mm

Weight (kg)	Basic load ratings (kN)		Limiting speed (rpm)		Bearing No.
	dyn. C	stat. Co	grease	oil	
0,95	102	166	3000	4000	29675/29620
1,25	128	197	3000	4000	33275/33462
1,3	133	186	3000	4000	482/472
1,27	133	186	3000	4000	482/472A
1,46	166	249	3000	4000	47487/47420
1,47	166	249	3000	4000	47487/47420A
1,16	102	166	3100	4100	29675/29630
1,89	182	263	2800	3800	566/563
2,6	216	298	2800	3800	643/632
2,8	161	202	2100	2700	HM914545/10
2,85	213	256	2700	3700	H913849/10
3,24	229	335	2500	3300	655/653
3,88	294	417	2400	3200	745A/742
6,15	379	522	2200	3000	835/832
1,08	94,6	137	2900	3800	34274/34478
1,14	94,6	137	2900	3800	34274/34492A
3,17	249	405	2400	3200	H715347/11
6,47	339	431	2200	3000	H916642/10
0,69	84,8	112	4000	5300	JP7049/10
0,88	106	168	3200	4200	JLM813049/10
1,13	139	198	3100	4100	JM612949/10
1,3	133	186	3000	4000	484/472
1,76	254	360	2600	3500	JF7049/10
1,76	254	360	2600	3500	JF7049A/10
2,65	189	257	2600	3600	JW7049/10
3,04	213	256	2400	3200	JH913848/11
0,93	102	166	3200	4300	29680/29620
1,18	128	197	3000	4000	33281/33462
1,41	166	249	3000	4000	47490/47420
1,84	182	263	2900	3800	567A/563
2,28	179	256	3200	4200	HM813849/10
1,92	143	216	2300	3100	495S/493
2,54	276	298	2800	3800	644/632
2,54	276	298	2800	3800	645/632
2,64	252	335	2600	3600	H414249/10
3,13	249	405	2400	3400	H715345/11
3,27	249	405	2400	3400	H715345/10
0,88	102	166	3000	4000	29685/29620
1,17	128	197	3000	4000	33287/33462
1,26	128	197	3000	4000	33287/33472
1,79	182	263	2800	3800	567/563
1,81	182	263	2800	3800	567X/563
2,47	191	292	2600	3400	576/572
3,12	229	335	2200	3200	657/653
4,39	321	463	2500	3400	6460/6420
3,75	294	417	2400	3200	744/742
4,79	303	441	2000	2700	762/752
0,86	102	166	3100	4100	29688/29620
1,78	182	263	2900	3800	568/563
2,42	191	292	2600	3400	577/572
0,85	110	167	3000	4000	JLM714149/10

1.2 TAPERED ROLLER BEARINGS - INCH



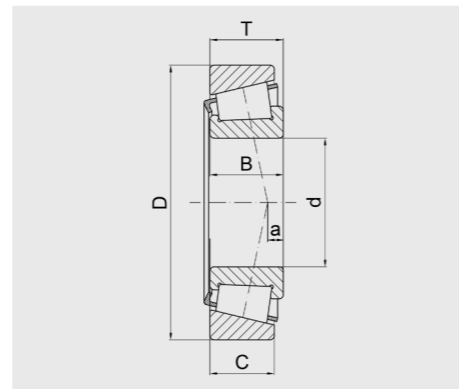
Bearing No.	Dimensions					
	d	D	B	T	C	a
JM714249/10	75,000	120,000	29,500	25,000	31,000	2,00
JM714249A/10	75,000	120,000	29,500	25,000	31,000	2,00
JH415647/10	75,000	145,000	51,000	42,000	51,000	14,40
JW7549/10	75,000	150,000	38,000	29,000	42,000	9,40
HM215249/10	75,987	132,000	39,000	32,000	39,000	9,60
LL714649/10	76,200	105,570	13,495	9,525	13,495	6,60
L814749/10	76,200	109,538	19,050	15,083	19,050	5,10
34300/34478	76,200	121,442	23,012	17,462	24,608	1,50
34301/34478	76,200	121,442	23,012	17,462	24,608	1,50
42687/42620	76,200	127,000	31,000	22,225	30,162	2,80
42688/42620	76,200	127,000	31,000	22,225	30,162	2,80
495A/492A	76,200	133,350	29,769	22,225	30,162	0,80
47678/47620	76,200	133,350	33,338	26,195	33,338	4,30
47679/47620	76,200	133,350	33,338	26,195	33,338	4,30
47680/47620	76,200	133,350	33,338	26,195	33,338	4,30
HM516442/10	76,200	133,350	39,688	32,545	39,688	7,40
495A/493A	76,200	135,000	29,769	22,225	30,162	0,80
5760/5735	76,200	135,733	46,100	34,925	44,450	11,70
495AX/493	76,200	136,525	29,769	22,225	30,162	0,80
575/572X	76,200	139,700	36,098	28,575	36,512	5,30
575/572	76,200	139,992	36,098	28,575	36,512	5,30
575S/572	76,200	139,992	36,098	28,575	36,512	5,30
659/653	76,200	146,050	41,275	31,750	41,275	7,90
6461/6420	76,200	149,225	54,229	44,450	53,975	15,00
6461A/6420	76,200	149,225	54,229	44,450	53,975	15,00
748S/742	76,200	150,089	46,672	36,512	44,450	11,90
590A/592A	76,200	152,400	36,322	30,162	39,688	2,50
9285/9220	76,200	161,925	46,038	31,750	49,212	0,00
755/752	76,200	161,925	48,260	38,100	47,625	5,30
6575/6535	76,200	161,925	55,100	42,862	53,975	13,20
843/832	76,200	168,275	56,363	41,275	53,975	18,50
6576C/6520	76,200	169,850	55,100	44,450	53,975	13,20
9380/9321	76,200	171,450	46,038	31,750	49,212	4,30
9378/9321	76,200	171,450	50,800	31,750	52,388	1,30
H917840/10	76,200	180,975	53,183	35,720	53,975	0,50
HH221430/10	76,200	190,500	57,531	46,038	57,150	15,00
6576/6535	76,200	191,925	55,100	42,862	53,975	13,20
LM814849/10	77,788	117,475	25,400	19,050	25,400	2,30
34306/34478	77,788	121,442	23,012	17,462	24,608	1,50
34307/34478	77,788	121,442	23,012	17,462	24,608	1,50
42690/42620	77,788	127,000	31,000	22,225	30,162	2,80
495AS/493	77,788	136,525	29,769	22,225	30,162	0,80
H715348/11	77,788	136,525	46,038	36,512	46,038	8,60
H816249/10	77,788	164,976	46,248	36,251	49,500	6,40
661/653	79,375	146,050	41,275	31,750	41,275	7,90
756A/752	79,375	161,925	48,260	38,100	47,625	11,90
HH221431/10	79,375	190,500	57,531	46,038	57,150	15,00
HM218238/10	79,974	146,975	40,000	32,500	40,000	8,60
JP8049/10	80,000	125,000	22,500	17,500	24,000	2,30
JM515649/10	80,000	130,000	34,000	28,500	35,000	5,10



Note : In the following tables dimensions for inch series are given in mm

Weight (kg)	Basic load ratings (kN)		Limiting speed (rpm)		Bearing No.
	dyn. C	stat. Co	grease	oil	
1,3	148	229	2900	3900	JM714249/10
1,27	148	229	2900	3900	JM714249A/10
3,79	321	463	2500	3400	JH415647/10
3,22	214	294	2200	3200	JW7549/10
2,11	222	324	2400	3400	HM215249/10
0,32	37,9	61	5000	6600	LL714649/10
0,59	64,1	120	4400	5800	L814749/10
0,95	94,6	137	2900	3800	34300/34478
0,94	94,6	137	2900	3800	34301/34478
1,45	149	222	2800	3800	42687/42620
1,39	149	222	2800	3800	42688/42620
1,68	143	216	2400	3400	495A/492A
1,87	167	262	2400	3400	47678/47620
1,9	167	262	2600	3500	47679/47620
1,91	167	262	2600	3500	47680/47620
2,36	202	353	1900	2800	HM516442/10
1,79	143	216	2400	3400	495A/493A
2,7	237	380	2700	3500	5760/5735
1,76	143	216	2400	3400	495AX/493
2,39	191	292	2400	3400	575/572X
2,37	191	292	2400	3400	575/572
2,33	191	292	2400	3400	575S/572
3,02	229	335	2200	3200	659/653
4,23	321	463	2500	3400	6461/6420
4,15	321	463	2500	3400	6461A/6420
3,62	294	417	2200	3200	748S/742
3,2	200	319	2400	3200	590A/592A
4,24	275	330	1900	2800	9285/9220
4,68	303	441	2000	3000	755/752
5,35	343	523	2500	3300	6575/6535
5,82	379	522	1700	2200	843/832
6,11	343	523	1600	2100	6576C/6520
5,1	284	351	1800	2500	9380/9321
5,34	284	351	2500	3300	9378/9321
6,54	350	458	1900	2600	H917840/10
8,86	494	692	1900	2600	HH221430/10
5,38	343	523	2300	3000	6576/6535
0,89	109	183	2800	3800	LM814849/10
0,91	94,6	137	2900	3800	34306/34478
0,88	94,6	137	2900	3800	34307/34478
1,37	149	222	2800	3700	42690/42620
1,74	143	216	2400	3400	495AS/493
2,86	249	405	2600	3500	H715348/11
4,83	325	400	2000	2500	H816249/10
2,88	229	335	2500	3300	661/653
4,48	303	441	2300	3100	756A/752
8,69	494	692	1900	2600	HH221431/10
2,78	254	388	2000	3000	HM218238/10
0,95	105	141	2900	3800	JP8049/10
1,7	184	283	2700	3600	JM515649/10

1.2 TAPERED ROLLER BEARINGS - INCH



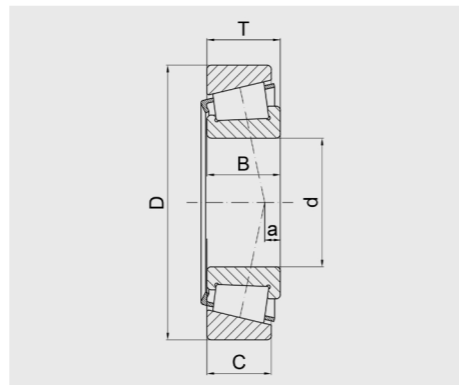
Bearing No.	Dimensions					
	d	D	B	T	C	a
JW8049/10	80,000	160,000	41,000	31,000	45,000	9,70
98316/98788	80,000	200,000	49,212	34,925	52,761	1,30
47681/47620	80,962	133,350	33,338	26,195	33,338	4,30
496/493	80,962	136,525	29,769	22,225	30,162	0,80
581/572	80,962	139,992	36,098	28,575	36,512	5,30
740/742	80,962	150,089	46,672	36,512	44,450	11,90
L116149/10	82,550	115,888	21,433	16,670	20,638	1,30
27687/27620	82,550	125,412	25,400	19,845	25,400	0,50
495/492A	82,550	133,350	29,769	22,225	30,162	0,80
47686/47620	82,550	133,350	33,338	26,195	33,338	4,30
47686/47620A	82,550	133,350	33,338	26,195	33,338	4,30
47687/47620	82,550	133,350	33,338	26,195	33,338	4,30
HM516448/10	82,550	133,350	39,688	32,545	39,688	7,40
HM516449/10	82,550	133,350	39,688	32,545	39,688	7,40
495/493	82,550	136,525	29,769	22,225	30,162	0,80
580/572X	82,550	139,700	36,098	28,575	36,512	5,30
580/572	82,550	139,992	36,098	28,575	36,512	5,30
582/572	82,550	139,992	36,098	28,575	36,512	5,30
663/653	82,550	146,050	41,275	31,750	41,275	7,90
749A/742	82,550	150,089	46,672	36,512	44,450	11,90
750A/742	82,550	150,089	46,672	36,512	44,450	11,90
595/592A	82,550	152,400	36,322	30,162	39,688	2,50
663/652	82,550	152,400	41,275	31,750	41,275	7,90
757/752	82,550	161,925	48,260	38,100	47,625	11,90
6559C/6535	82,550	161,925	55,100	42,862	53,975	13,20
842/832	82,550	168,275	56,363	41,275	53,975	18,50
H917849/10	82,550	180,975	53,183	35,720	53,975	0,50
27689/27620	83,345	125,412	25,400	19,845	25,400	0,50
27690/27620	83,345	125,412	25,400	19,845	25,400	0,50
27691/27620	83,345	125,412	25,400	19,845	25,400	0,50
498/493	84,138	136,525	29,769	22,225	30,162	0,80
9385/9321	84,138	171,450	46,038	31,750	49,212	4,30
9386H/9320	84,138	177,800	46,038	34,925	52,388	4,40
27695/27620	84,976	125,412	25,400	19,845	25,400	0,50
JM716648/10	85,000	130,000	29,000	24,000	30,000	0,30
JM716649/10	85,000	130,000	29,000	24,000	30,000	0,30
JHM516849/10	85,000	140,000	38,000	31,500	39,000	5,80
JH217249/10	85,000	150,000	46,000	38,000	46,000	11,90
90334/90744	85,000	188,912	52,761	31,750	53,297	10,40
98335/98788	85,000	200,000	49,212	34,925	52,761	1,30
749/742	85,026	150,089	46,672	36,512	44,450	11,90
749S/742	85,026	150,089	46,672	36,512	44,450	11,90
497/492A	85,725	133,350	29,769	22,225	30,162	0,80
497A/492A	85,725	133,350	29,769	22,225	30,162	0,80
497/493	85,725	136,525	29,769	22,225	30,162	0,80
497A/493	85,725	136,525	29,769	22,225	30,162	0,80
HM617049/10	85,725	142,138	42,862	34,133	42,862	7,40
665/653	85,725	146,050	41,275	31,750	41,275	7,90
665A/653	85,725	146,050	41,275	31,750	41,275	7,90
596/592A	85,725	152,400	36,322	30,162	39,688	2,50

Basic makes
-

Note : In the following tables dimensions for inch series are given in mm

Weight (kg)	Basic load ratings (kN)		Limiting speed (rpm)		Bearing No.
	dyn. C	stat. C ₀	grease	oil	
3,99	244	339	2300	3100	JW8049/10
8,01	376	519	1500	2000	98316/98788
1,75	167	262	2600	3500	47681/47620
1,65	143	216	2400	3400	496/493
2,2	191	292	2600	3400	581/572
3,39	294	417	2400	3200	740/742
0,65	835	147	2600	3500	L116149/10
1,04	109	178	2600	3600	27687/27620
1,68	143	216	2400	3400	495/492A
1,69	167	262	2400	3400	47686/47620
1,71	167	262	2400	3400	47686/47620A
1,66	167	262	2600	3500	47687/47620
2,08	202	353	2600	3500	HM516448/10
2,12	202	353	2600	3500	HM516449/10
1,6	143	216	2400	3400	495/493
2,14	191	292	2400	3400	580/572X
2,14	191	292	2400	3400	580/572
2,1	191	292	2400	3400	582/572
2,75	229	335	2200	3200	663/653
3,33	294	417	2200	3200	749A/742
3,29	249	417	2400	3400	750A/742
2,98	200	319	2300	3100	595/592A
3,12	229	335	2200	3200	663/652
4,38	303	441	2300	3100	757/752
5,04	343	523	2300	3000	6559C/6535
5,48	379	522	2200	3000	842/832
6,21	350	458	2200	3000	H917849/10
1,03	109	178	2700	3600	27689/27620
1,02	109	178	2600	3600	27690/27620
0,99	109	178	2700	3600	27691/27620
1,55	143	216	2400	3400	498/493
4,74	284	351	2000	3000	9385/9321
5,4	284	351	2300	3000	9386H/9320
0,68	109	178	3700	5000	27695/27620
1,32	149	245	2600	3500	JM716648/10
1,35	149	245	2600	3500	JM716649/10
2,26	220	339	3300	4400	JHM516849/10
3,33	307	446	2200	3200	JH217249/10
6,65	299	392	1300	1700	90334/90744
7,76	376	519	1600	2100	98335/98788
3,21	294	417	2200	3200	749/742
3,2	294	417	2200	3200	749S/742
1,39	143	216	2400	3400	497/492A
1,39	143	216	2400	3400	497A/492A
1,5	143	216	2400	3400	497/493
1,47	143	216	2400	3400	497A/493
2,71	242	399	2500	3200	HM617049/10
2,61	229	335	2200	3200	665/653
2,58	229	335	2200	3200	665A/653
2,86	200	319	2300	3100	596/592A

1.2 TAPERED ROLLER BEARINGS - INCH



Bearing No.	Dimensions					
	d	D	B	T	C	a
758/752	85,725	161,925	48,260	38,100	47,625	11,90
677/672	85,725	168,275	41,275	30,162	41,275	2,80
841/832	85,725	168,275	56,363	41,275	53,975	18,50
42346/42584	87,960	148,430	28,971	21,433	28,575	3,00
LL217849/10	88,900	121,442	15,083	11,112	15,083	3,00
L217849/10	88,900	123,825	20,638	16,670	20,638	0,00
42350/42584	88,900	148,430	28,971	21,433	28,575	3,00
593/592A	88,900	152,400	36,322	30,162	39,688	2,50
593A/592A	88,900	152,400	36,322	30,162	39,688	2,50
759/752	88,900	161,925	48,260	38,100	47,625	11,90
766/752	88,900	161,925	48,260	38,100	47,625	11,90
6580/6535	88,900	161,925	55,100	42,862	53,975	13,20
679/672	88,900	168,275	41,275	30,162	41,275	2,80
850/832	88,900	168,275	56,363	41,275	53,975	18,50
855/854	88,900	190,500	57,531	44,450	57,150	15,20
HH221434/10	88,900	190,500	57,531	46,038	57,150	15,00
98350/98788	88,900	200,000	49,212	34,925	52,761	1,30
HM218248/10	89,974	146,975	40,000	32,500	40,000	8,60
JM718149/10	90,000	145,000	34,000	27,000	35,000	2,00
JM718149A/10	90,000	145,000	34,000	27,000	35,000	2,00
JHM318448/10	90,000	155,000	44,000	35,500	44,000	9,90
J90354/48	90,000	190,000	46,038	31,750	50,800	12,70
JHH221436/13	90,000	190,000	57,531	46,038	57,150	15,00
760/752	90,488	161,925	48,260	38,100	47,625	11,90
LM718947/10	91,973	142,875	30,000	22,000	30,000	1,80
47890/47820	92,075	146,050	34,925	26,195	33,338	1,00
598A/592A	92,075	152,400	36,322	30,162	39,688	2,50
598/592A	92,075	152,400	36,322	30,162	39,688	2,50
681/672	92,075	168,275	41,275	30,162	41,275	2,80
681A/672	92,075	168,275	41,275	30,162	41,275	2,80
77362/77675	92,075	171,450	48,260	38,100	47,625	9,70
778/772	92,075	180,975	48,006	38,100	47,625	8,10
857/854	92,075	190,500	57,531	44,450	57,150	15,20
42368/42584	93,662	148,430	28,971	21,433	28,575	3,00
42373/42584	94,975	148,430	28,971	21,433	28,575	3,00
JL819349/10	95,000	135,000	20,000	14,000	20,000	10,90
JP10044/10	95,000	145,000	22,500	17,500	24,000	6,10
JM719149/13	95,000	150,000	34,000	27,000	35,000	1,50
JF9549/10	95,000	160,000	46,000	38,000	46,000	10,70
LL319349/10	95,250	128,588	15,083	11,908	15,875	4,30
L319249/10	95,250	130,175	21,433	16,670	20,638	1,30
47896/47820	95,250	146,050	34,925	26,195	33,338	1,00
594A/592XE	95,250	147,638	36,322	26,192	35,717	2,50
594A/592XS	95,250	147,638	36,322	26,192	35,717	2,50
42375/42584	95,250	148,430	28,971	21,433	28,575	3,00
594/593X	95,250	150,000	36,322	27,000	35,992	2,50
594/592A	95,250	152,400	36,322	30,162	39,688	2,50
52375/52618	95,250	157,162	36,116	26,195	36,512	0,30
683/672	95,250	168,275	41,275	30,162	41,275	2,80
683XA/672	95,250	168,275	41,275	30,162	41,275	2,80

Basic makes

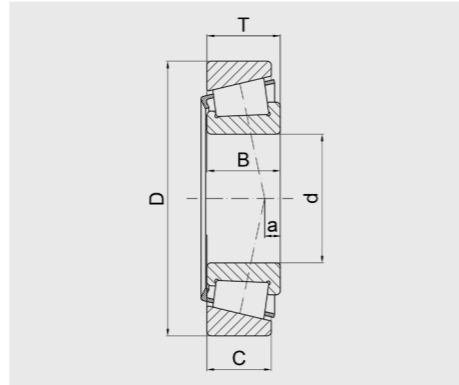
-

✓

Note : In the following tables dimensions for inch series are given in mm

Weight (kg)	Basic load ratings (kN)		Limiting speed (rpm)		Bearing No.
	dyn. C	stat. Co	grease	oil	
4,22	303	441	2300	3100	758/752
4,12	245	386	2000	3000	677/672
5,29	379	522	2500	3300	841/832
1,95	151	241	2300	3100	42346/42584
0,47	55,1	88,7	2700	3600	LL217849/10
0,74	858	156	2700	3500	L217849/10
1,92	151	241	2300	3100	42350/42584
2,73	200	319	2300	3100	593/592A
2,7	200	319	2300	3100	593A/592A
4,06	303	441	2000	3000	759/752
4,01	303	441	2300	3100	766/752
4,67	343	523	2000	3000	6580/6535
3,98	245	386	2300	3100	679/672
5,1	379	522	2200	3000	850/832
7,67	424	630	1600	2100	855/854
8,06	494	692	1500	2000	HH221434/10
7,55	376	519	1800	2600	98350/98788
2,36	254	388	2200	3200	HM218248/10
2,12	206	313	2400	3200	JM718149/10
2,09	206	313	2400	3200	JM718149A/10
3,3	306	447	1700	2400	JHM318448/10
6,12	299	392	1800	2400	J90354/48
7,94	494	692	1600	2000	JHH221436/13
3,97	303	441	2300	3100	760/752
1,62	152	240	3600	4800	LM718947/10
2,03	182	307	2200	3200	47890/47820
2,57	200	319	2000	3000	598A/592A
2,61	200	319	2000	3000	598/592A
3,83	245	386	2100	2800	681/672
3,8	245	386	2100	2800	681A/672
4,83	315	474	2000	2500	77362/77675
5,57	320	495	2200	3000	778/772
7,46	424	630	1800	2600	857/854
1,77	151	241	2200	3200	42368/42584
1,81	151	241	2800	3800	42373/42584
0,87	76,9	133	4000	5300	JL819349/10
1,27	116	172	2900	3900	JP10044/10
2,17	199	317	3000	4000	JM719149/13
3,76	328	506	2400	3200	JF9549/10
0,53	58,8	99,4	4800	6400	LL319349/10
0,79	88,3	166	2500	3300	L319249/10
1,91	182	307	2400	3100	47896/47820
2,07	200	319	2300	3100	594A/592XE
2,05	200	319	2300	3100	594A/592XS
1,71	151	241	2400	3400	42375/42584
2,21	200	319	2100	2800	594/593X
2,47	200	319	2000	3000	594/592A
2,66	207	343	2200	2900	52375/52618
3,68	245	386	1900	2800	683/672
3,66	245	386	1900	2800	683XA/672

1.2 TAPERED ROLLER BEARINGS - INCH



Bearing No.	Dimensions					
	d	D	B	T	C	a
77375/77675	95,250	171,450	48,260	38,100	47,625	9,70
864/854	95,250	190,500	57,531	44,450	57,150	15,20
HH221440/10	95,250	190,500	57,531	46,038	57,150	15,00
42381/42584	96,838	148,430	28,971	21,433	28,575	3,00
90381/90744	96,838	188,912	46,038	31,750	50,800	12,70
52387/52618	98,425	157,162	36,116	26,195	36,512	0,30
685/672	98,425	168,275	41,275	30,162	41,275	2,80
HH421246C/10	98,425	184,150	63,500	52,388	63,500	16,80
HH221442/10	98,425	190,500	57,531	46,038	57,150	15,00
HM321245/10	99,212	171,450	49,212	38,100	49,212	11,20
HM220149/10	99,974	156,975	42,000	34,000	42,000	8,80
HH224334/10	99,975	212,725	66,675	53,975	66,675	18,80
HH221447/10	99,982	190,500	57,531	46,038	57,150	15,00
JP10049/10	100,000	145,000	22,500	17,500	24,000	6,10
52400/52618	101,600	157,162	36,116	26,195	36,512	0,30
52401/52618	101,600	157,162	36,116	26,195	36,512	0,30
37425/37625	107,950	158,750	21,438	15,875	23,020	13,70
56425/56650	107,950	165,100	36,512	26,988	36,512	2
56426/56650	107,950	165,100	36,512	26,988	36,512	2,00
37431/37625	109,538	158,750	21,438	15,875	23,020	13,70
JM822049/10	110,000	165,000	35,000	26,500	35,000	3,00
67390/67322	133,350	196,850	46,038	38,100	46,038	6,40
48684/48620	142,875	200,025	39,688	34,130	41,275	3,00
36690/36620	146,050	193,675	28,575	23,020	28,575	4,80
67989/67920	209,550	282,575	46,038	36,512	46,038	16,00

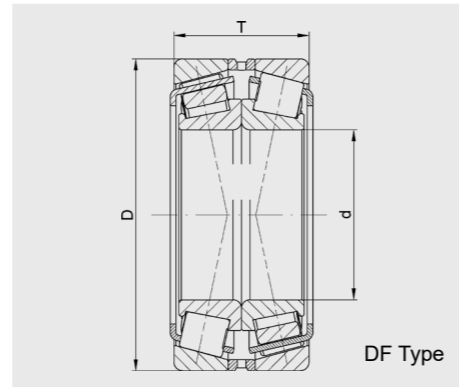
Basic makes
-

Note : In the following tables dimensions for inch series are given in mm

Weight (kg)	Basic load ratings (kN)		Limiting speed (rpm)		Bearing No.
	dyn. C	stat. Co	grease	oil	
4,65	315	474	1900	2800	77375/77675
7,25	424	603	1800	2600	864/854
7,64	494	692	1900	2600	HH221440/10
1,66	151	241	2200	3200	42381/42584
5,68	299	392	1800	2400	90381/90744
2,53	207	343	2200	2900	52387/52618
3,52	245	386	2100	2800	685/672
7,26	491	772	1800	2600	HH421246C/10
7,49	494	692	1800	2600	HH221442/10
4,56	320	486	1900	2600	HM321245/10
2,75	278	438	2000	3000	HM220149/10
11,7	630	906	1700	2300	HH224334/10
7,34	494	692	1800	2600	HH221447/10
0,91	116	172	4300	5600	JP10049/10
2,39	207	343	1900	2800	52400/52618
2,37	207	343	1900	2800	52401/52618
1,35	107	179	2100	2800	37425/37625
2,62	256	355	2100	2700	56425/56650
2,62	256	355	2100	2700	56426/56650
1,3	107	179	2100	2800	37431/37625
2,45	210	357	2100	2700	JM822049/10
4,6	340	625	1600	2200	67390/67322
3,74	265	560	1600	2100	48684/48620
2,26	182	407	1600	2200	36690/36620
7,97	393	881	1500	2000	67989/67920

1.3 MATCHED TAPERED ROLLER BEARINGS - DF TYPE, FACE TO FACE

25-120 mm
Z&S BEARINGS PRODUCTION



Shaft (mm)	Bearing No.	Dimensions			Weight (kg)
		d	D	T	
25	31305/DF	25	62	36,5	0,55
30	32206/DF	30	62	42,5	0,59
	31306/DF	30	72	41,5	0,82
35	31307/DF	35	80	45,5	1,1
40	31308/DF	40	90	50,5	1,5
45	31309/DF	45	100	54,5	2
50	32010 X/DF	50	80	40	0,78
	30210/DF	50	90	43,5	1,1
	31310/DF	50	110	58,5	2,55
55	33011/DF	55	90	54	1,35
	30311/DF	55	120	63	3,25
	31311/DF	55	120	63	3,25
60	33212/DF	60	110	76	3,2
	31312/DF	60	130	67	4,05
65	31313/DF	65	140	72	5
70	32014 X/DF	70	110	50	1,75
	33014/DF	70	110	62	2,2
	31314/DF	70	150	76	6,1
75	33015/DF	75	115	62	2,4
	32215/DF	75	130	66,5	3,4
	31315/DF	75	160	80	7,15
80	32016 X/DF	80	125	58	2,65
	32216/DF	80	140	70,5	4,25
	31316/DF	80	170	81,5	8,65
85	32217/DF	85	150	77	5,4
	31317/DF	85	180	89	9,9
90	32018 X/DF	90	140	64	3,65
	33018/DF	90	140	78	4,5
	30218/DF	90	160	65	5,2
	32218/DF	90	160	85	6,85
	31318/DF	90	190	93	11,5
95	32219/DF	95	170	91	8,2
	31319/DF	95	200	99	13,5
100	32020 X/DF	100	150	64	3,9
	30220/DF	100	180	74	7,5
	32220/DF	100	180	98	10
	31320 X/DF	100	215	113	18,5
105	32021 X/DF	105	160	70	5,05
110	32022 X/DF	110	170	76	6,3
	33122/DF	110	180	112	11,5
	30222/DF	110	200	82	10,5
	32222/DF	110	200	112	14,5
	31322 X/DF	110	240	126	26
120	32024 X/DF	120	180	76	6,75
	33024/DF	120	180	96	8,6
	30224/DF	120	215	87	12,5
	32224/DF	120	215	123	18,5
	31324 X/DF	120	260	136	32,5
	32324/DF	120	260	181	45

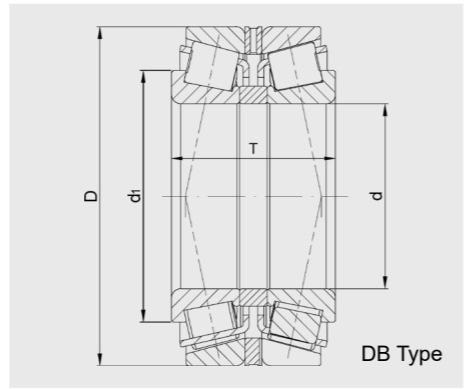
Basic makes

-

Basic load ratings (kN)		Limiting speed (rpm)	Bearing No.
dyn. C	stat. C ₀		
79,9	80	11000	31305/DF
106	116	11000	32206/DF
100	100	9500	31306/DF
129	134	8500	31307/DF
156	163	7500	31308/DF
194	204	6700	31309/DF
129	176	8000	32010 X/DF
160	183	7500	30210/DF
224	240	6000	31310/DF
191	270	7000	33011/DF
302	325	5600	30311/DF
256	275	5600	31311/DF
354	475	6000	33212/DF
303	335	5300	31312/DF
348	380	4800	31313/DF
214	305	5600	32014 X/DF
273	400	5600	33014/DF
393	440	4500	31314/DF
286	455	5300	33015/DF
337	425	5000	32215/DF
438	490	4300	31315/DF
288	430	5000	32016 X/DF
391	490	4500	32216/DF
473	530	4000	31316/DF
451	570	4300	32217/DF
510	570	3800	31317/DF
356	540	4300	32018 X/DF
457	710	4500	33018/DF
411	490	4000	30218/DF
529	680	4000	32218/DF
486	630	3400	31318/DF
597	780	3800	32219/DF
539	710	3400	31319/DF
359	560	4000	32020 X/DF
521	640	3600	30220/DF
668	880	3600	32220/DF
685	930	3000	31320 X/DF
426	670	3800	32021 X/DF
494	780	3600	32022 X/DF
781	1250	3400	33122/DF
561	800	3200	30222/DF
842	1140	3200	32222/DF
841	1160	2800	31322 X/DF
513	830	3 400	32024 X/DF
611	1 080	3 400	33024/DF
716	915	3 000	30224/DF
983	1 400	3 000	32224/DF
992	1 400	2 400	31324 X/DF
1 466	2 240	2 600	32324/DF

1.4 MATCHED TAPERED ROLLER BEARINGS - DB TYPE, BACK TO BACK

25-120 mm
Z&S BEARINGS PRODUCTION



Shaft (mm)	Bearing No.	Dimensions			Weight (kg)
		d	D	T	
25	30205T36.5/DB	25	52	36,5	0,33
30	30206T40/DB	30	62	40	0,51
35	33207T64/DB	35	72	64	1,1
40	32008T41.5 X/DB	40	68	41,5	0,58
	30308T72/DB	40	90	72	1,9
50	32010T50 X/DB	50	80	50	0,86
	33010T118/DB	50	80	118	1,8
60	30212T53/DB	60	110	53	1,9
65	33013T60/DB	65	100	60	1,6
70	33014T108.8/DB	70	110	108,8	3,05
75	30215T70/DB	75	130	70	3,2
	32215T80/DB	75	130	80	3,75
80	32216T78/DB	80	140	78	4,4
85	32017T66 X/DB	85	130	66	2,85
	30217T71/DB	85	150	71	4,55
90	33118T104/DB	90	150	104	6,7
	32218T95/DB	90	160	95	7,15
	31318T103/DB	90	190	103	12
95	32219T105/DB	95	170	105	8,95
100	32020T72 X/DB	100	150	72	4,1
	32220T107/DB	100	180	107	10,5
	32220T108/DB	100	180	108	10,5
	32220T108/DB	100	180	108	10,5
	32220T140/DB	100	180	140	12,5
	31320T125 X/DB	100	215	125	19
110	32022T84 X/DB	110	170	84	6,55
	32222T122/DB	110	200	122	15
120	32024T84 X/DB	120	180	84	6,85
	30224T133/DB	120	215	133	16
	32224T133/DB	120	215	133	19
	32224T137/DB	120	215	137	19,5
	32224T146/DB	120	215	146	20
	32224T137/DB	120	215	1437	19,5

Basic makes

-

Basic load ratings (kN)		Limiting speed (rpm)	Bearing No.
dyn. C	stat. C ₀		
65,3	67	13000	30205T36.5/DB
85,7	88	11000	30206T40/DB
178	212	9500	33207T64/DB
111	143	9500	32008T41.5 X/DB
182	190	8000	30308T72/DB
129	176	8000	32010T50 X/DB
145	204	8000	33010T118/DB
207	228	6000	30212T53/DB
204	310	6300	33013T60/DB
273	400	5600	33014T108.8/DB
293	355	5000	30215T70/DB
337	425	5000	32215T80/DB
391	490	4500	32216T78/DB
293	450	4800	32017T66 X/DB
370	440	4300	30217T71/DB
532	780	4300	33118T104/DB
529	680	4000	32218T95/DB
486	630	3400	31318T103/DB
597	780	3800	32219T105/DB
359	560	4000	32020T72 X/DB
668	880	3600	32220T107/DB
668	880	3600	32220T108/DB
668	880	3600	32220T108/DB
668	880	3600	32220T140/DB
685	930	3000	31320T125 X/DB
494	780	3600	32022T84 X/DB
842	1140	3200	32222T122/DB
513	830	3400	32024T84 X/DB
716	915	3000	30224T133/DB
983	1400	3000	32224T133/DB
983	1400	3000	32224T137/DB
983	1400	3000	32224T146/DB
983	1400	3000	32224T137/DB

EDITORIAL TEAM

Đuro Grabež

Chief Editor / Project Lead

Mile Mijušković

Chief Managing Editor

Filip Paško

Chief Technical Editor

Predrag Djukić

Technical Editor

© [Z&S Bearings Production], [2026].

All rights reserved. No part of this publication may be reproduced, distributed, transmitted, stored in a retrieval system, or otherwise used in any form or by any means—electronic, mechanical, photocopying, recording, or otherwise—without the prior written permission of the author.

This publication is protected by applicable copyright laws of the Republic of Serbia and international copyright conventions.

CIP - Katalogizacija u publikaciji
Biblioteke Matice srpske, Novi Sad
TAPERED roller bearings catalogue [Elektronski izvor] / [chief editor Đuro Grabež]. -
Temerin : Živko & Sinovi, 2026
658.114:621.822.6(497.113 Temerin)(085)
ISBN 978-86-83318-03-2
a) Živko i Sinovi (Temerin) -- Katalozi
COBISS.SR-ID 186633993

Committed to Quality Since 1992

AFI City Zmaj, 11000 Belgarde, Serbia
+381 11 7753757
office@zs-bearings.com
zs-bearings.com

© Z&S Bearings, Edition 2026



AFI City Zmaj, 11080 Belgrade, Serbia

+381 11 7753757

office@zs-bearings.com

www.zs-bearings.com